



AUTO PARTS

Product Bulletin

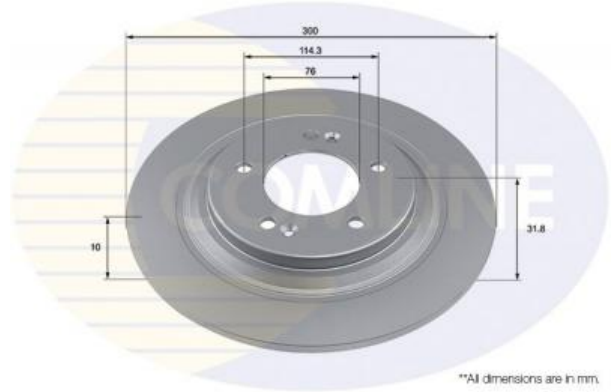
ADC4058 - Brake disc

Vehicles

KIA,

Technical Info

Brake Disc Thickness (mm)	10	Minimum Thickness (mm)	8.4
Brake Disc Type	Solid Disc	Number of Bores	2
Centering Diameter (mm)	76	Number of Holes	5
Fitting Position	Rear Axle	Outer Diameter (mm)	300
Height (mm)	31.8	Pitch Circle	114.3



*All dimensions are in mm.

Cross References

ALLIED NIPPON	AND7240	BLUE PRINT	ADG043230	KIA	58411-D4650
MOTAQUIP	LVBD2000				

Notes:

Manufacturers details are for guidance only. For pricing enquiries please contact our sales team on 01582 578 888

Comline Auto Parts Limited

Unit B1, Luton Enterprise Park, Sundon Road, Luton, Bedfordshire LU3 3GU

Tel: 01582 578 888 International Tel: +44 1582 578 888 Fax: 01582 578 889 International Fax: +44 1582 578 889

Email: sales@comline.uk.com Web: www.comline.uk.com



COMLINE

AUTO PARTS

Product Bulletin

ADC4058 - Brake disc

Buyers Guide

Make/Model	Litre	CC	Engine	HP	Model Year	Fitted Period
KIA OPTIMA	1.7	1685	Diesel	141	11/2015 >	
KIA OPTIMA	2.0	1999	Petrol	163	9/2015 >	
KIA OPTIMA	2.0	1999	Hybrid	156	9/2016 >	
KIA OPTIMA Sportswagon (JF)	2.0	1999	Petrol	163	9/2016 >	
KIA OPTIMA Sportswagon (JF)	2.0	1999	Hybrid	156	4/2017 >	

Notes:

Manufacturers details are for guidance only. For pricing enquiries please contact our sales team on 01582 578 888

Comline Auto Parts Limited

Unit B1, Luton Enterprise Park, Sundon Road, Luton, Bedfordshire LU3 3GU

Tel: 01582 578 888 International Tel: +44 1582 578 888 Fax: 01582 578 889 International Fax: +44 1582 578 889

Email: sales@comline.uk.com **Web:** www.comline.uk.com