



AUTO PARTS

Product Bulletin

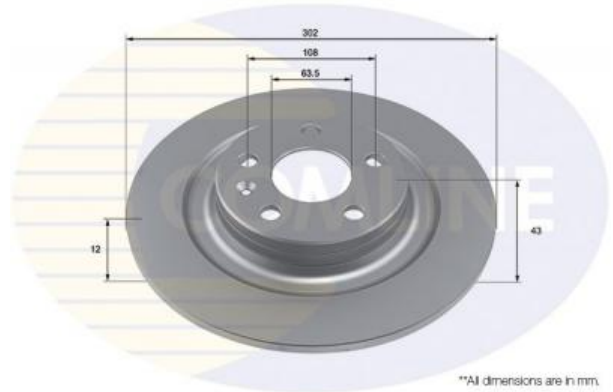
ADC4056 - Brake disc

Vehicles

VOLVO,

Technical Info

Brake Disc Thickness (mm)	12	Minimum Thickness (mm)	9.5
Brake Disc Type	Solid Disc	Number of Bores	1
Centering Diameter (mm)	63.5	Number of Holes	5
Fitting Position	Rear Axle	Outer Diameter (mm)	302
Height (mm)	43	Pitch Circle	108



*All dimensions are in mm.

Cross References

A.B.S.	18588	ALLIED NIPPON	AND7238	APEC	DSK3387
FREMAX	BD-7309	MINTEX	MDC2838C	MOTAQUIP	LVBD1887
PAGID	55951HC	TEXTAR	92295105	VOLVO	31423721
ZIMMERMANN	610.3727.20				

Notes:

Manufacturers details are for guidance only. For pricing enquiries please contact our sales team on 01582 578 888

Comline Auto Parts Limited

Unit B1, Luton Enterprise Park, Sundon Road, Luton, Bedfordshire LU3 3GU

Tel: 01582 578 888 International Tel: +44 1582 578 888 Fax: 01582 578 889 International Fax: +44 1582 578 889

Email: sales@comline.uk.com **Web:** www.comline.uk.com



AUTO PARTS

Product Bulletin

ADC4056 - Brake disc

Buyers Guide

Make/Model	Litre	CC	Engine	HP	Model Year	Fitted Period
VOLVO S90 II (234)	2.0	1969	Petrol	249	3/2016 >	
VOLVO S90 II (234)	2.0	1969	Petrol	254	3/2016 >	
VOLVO S90 II (234)	2.0	1969	Hybrid	320	10/2017 >	
VOLVO S90 II (234)	2.0	1969	Diesel	190	3/2016 >	
VOLVO S90 II (234)	2.0	1969	Diesel	235	3/2016 >	
VOLVO S90 II (234)	2.0	1969	Petrol	320	3/2016 >	
VOLVO S90 II (234)	2.0	1969	Diesel	190	3/2016 >	
VOLVO S90 II (234)	2.0	1969	Diesel	150	3/2016 >	
VOLVO V90 II Estate (235, 236)	2.0	1969	Diesel	190	3/2016 >	
VOLVO V90 II Estate (235, 236)	2.0	1969	Petrol	254	3/2016 >	
VOLVO V90 II Estate (235, 236)	2.0	1969	Diesel	150	3/2016 >	
VOLVO V90 II Estate (235, 236)	2.0	1969	Diesel	150	3/2016 >	
VOLVO V90 II Estate (235, 236)	2.0	1969	Petrol	254	3/2016 >	
VOLVO V90 II Estate (235, 236)	2.0	1969	Petrol	320	3/2016 >	
VOLVO V90 II Estate (235, 236)	2.0	1969	Diesel	190	3/2016 >	
VOLVO V90 II Estate (235, 236)	2.0	1969	Diesel	235	3/2016 >	
VOLVO V90 II Estate (235, 236)	2.0	1969	Hybrid	320	3/2016 >	
VOLVO XC60 II (246)	2.0	1969	Petrol	254	3/2017 - 12/2018	
VOLVO XC60 II (246)	2.0	1969	Diesel	235	3/2017 >	
VOLVO XC60 II (246)	2.0	1969	Petrol	254	3/2017 - 12/2018	
VOLVO XC60 II (246)	2.0	1969	Petrol	320	3/2017 >	
VOLVO XC60 II (246)	2.0	1969	Hybrid	320	3/2017 >	
VOLVO XC60 II (246)	2.0	1969	Diesel	190	3/2017 >	

Notes:

Manufacturers details are for guidance only. For pricing enquiries please contact our sales team on 01582 578 888

Comline Auto Parts Limited

Unit B1, Luton Enterprise Park, Sundon Road, Luton, Bedfordshire LU3 3GU

Tel: 01582 578 888 International Tel: +44 1582 578 888 Fax: 01582 578 889 International Fax: +44 1582 578 889

Email: sales@comline.uk.com **Web:** www.comline.uk.com