



AUTO PARTS

Product Bulletin

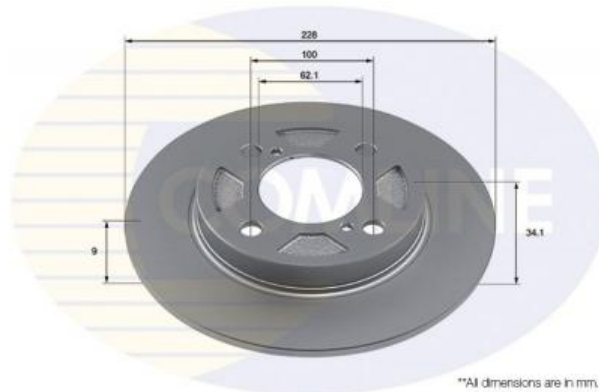
ADC4048 - Brake disc

Vehicles

SUZUKI,

Technical Info

Brake Disc Thickness (mm)	9	Minimum Thickness (mm)	8
Brake Disc Type	Solid Disc	Number of Bores	2
Centering Diameter (mm)	62.1	Number of Holes	4
Fitting Position	Rear Axle	Outer Diameter (mm)	228
Height (mm)	34.1	Pitch Circle	100



*All dimensions are in mm.

Cross References

ALLIED NIPPON	AND7230	APEC	DSK3379	APEC	DSK3383
BLUE PRINT	ADK84351	COMLINE	ADC4050	HERTH+BUSS JAKOPARTS	J3318012
KAVO	BR-8751-C	MOTAQUIP	LVBD1984	SUZUKI	55611-52R00
SUZUKI	55611-52R01	SUZUKI	55611-M68P00	ZIMMERMANN	540.5313.20

Notes:

Manufacturers details are for guidance only. For pricing enquiries please contact our sales team on 01582 578 888

Comline Auto Parts Limited

Unit B1, Luton Enterprise Park, Sundon Road, Luton, Bedfordshire LU3 3GU

Tel: 01582 578 888 International Tel: +44 1582 578 888 Fax: 01582 578 889 International Fax: +44 1582 578 889

Email: sales@comline.uk.com **Web:** www.comline.uk.com



AUTO PARTS

Product Bulletin

ADC4048 - Brake disc

Buyers Guide

Make/Model	Litre	CC	Engine	HP	Model Year	Fitted Period
SUZUKI BALENO (FW, EW)	1.0	998	Petrol	112	2/2016 >	
SUZUKI BALENO (FW, EW)	1.2	1242	Petrol	90	2/2016 >	
SUZUKI BALENO (FW, EW)	1.2	1242	Hybrid	90	2/2016 >	
SUZUKI SWIFT V (AZ)	1.0	998	Petrol	112	4/2017 >	
SUZUKI SWIFT V (AZ)	1.0	998	Hybrid	112	4/2017 >	
SUZUKI SWIFT V (AZ)	1.2	1242	Petrol	90	4/2017 >	
SUZUKI SWIFT V (AZ)	1.2	1242	Hybrid	90	4/2017 >	
SUZUKI SWIFT V (AZ)	1.2	1242	Hybrid	90	4/2017 >	
SUZUKI SWIFT V (AZ)	1.2	1242	Petrol	90	4/2017 >	

Notes:

Manufacturers details are for guidance only. For pricing enquiries please contact our sales team on 01582 578 888

Comline Auto Parts Limited

Unit B1, Luton Enterprise Park, Sundon Road, Luton, Bedfordshire LU3 3GU

Tel: 01582 578 888 International Tel: +44 1582 578 888 Fax: 01582 578 889 International Fax: +44 1582 578 889

Email: sales@comline.uk.com **Web:** www.comline.uk.com