



AUTO PARTS

Product Bulletin

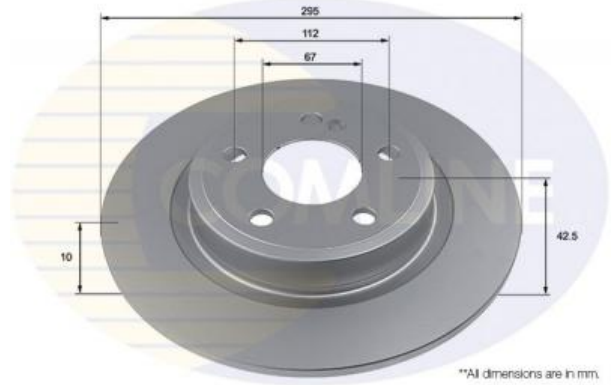
ADC4036 - Brake disc

Vehicles

INFINITI,

Technical Info

Brake Disc Thickness (mm)	10	Minimum Thickness (mm)	8.3
Brake Disc Type	Solid Disc	Number of Bores	1
Centering Diameter (mm)	67	Number of Holes	5
Fitting Position	Rear Axle	Outer Diameter (mm)	295
Height (mm)	42.5	Pitch Circle	112



*All dimensions are in mm.

Cross References

ALLIED NIPPON	AND7218	APEC	DSK3418	BLUE PRINT	ADN143185
MOTAQUIP	LVBD1999	NISSAN	43206-5DA0A	NISSAN	43206-HG00B
TRW	DF6886				

Notes:

Manufacturers details are for guidance only. For pricing enquiries please contact our sales team on 01582 578 888

Comline Auto Parts Limited

Unit B1, Luton Enterprise Park, Sundon Road, Luton, Bedfordshire LU3 3GU

Tel: 01582 578 888 International Tel: +44 1582 578 888 Fax: 01582 578 889 International Fax: +44 1582 578 889

Email: sales@comline.uk.com **Web:** www.comline.uk.com



AUTO PARTS

Product Bulletin

ADC4036 - Brake disc

Buyers Guide

Make/Model	Litre	CC	Engine	HP	Model Year	Fitted Period
INFINITI Q30	1.6	1595	Petrol	122	11/2015 >	
INFINITI Q30	1.6	1595	Petrol	156	11/2015 >	
INFINITI Q30	2.0	1991	Petrol	211	11/2015 >	
INFINITI Q30	1.5	1461	Diesel	109	11/2015 >	
INFINITI Q30	2.2	2143	Diesel	170	11/2015 >	
INFINITI Q30	2.2	2143	Diesel	170	11/2015 >	
INFINITI Q30	2.0	1991	Petrol	211	11/2015 >	
INFINITI QX30	2.2	2143	Diesel	170	4/2016 >	
INFINITI QX30	2.0	1991	Petrol	211	9/2016 >	

Notes:

Manufacturers details are for guidance only. For pricing enquiries please contact our sales team on 01582 578 888

Comline Auto Parts Limited

Unit B1, Luton Enterprise Park, Sundon Road, Luton, Bedfordshire LU3 3GU

Tel: 01582 578 888 International Tel: +44 1582 578 888 Fax: 01582 578 889 International Fax: +44 1582 578 889

Email: sales@comline.uk.com **Web:** www.comline.uk.com