



AUTO PARTS

Product Bulletin

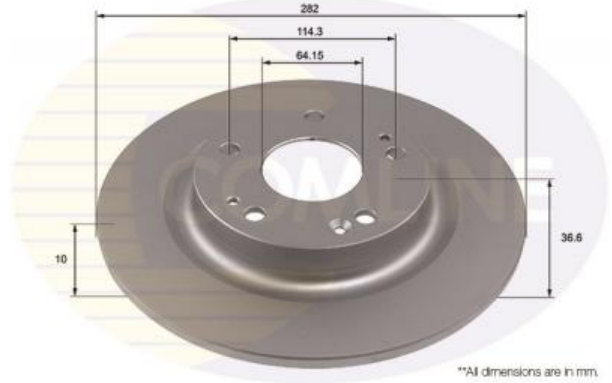
ADC4032 - Brake disc

Vehicles

HONDA,

Technical Info

Brake Disc Thickness (mm)	10	Minimum Thickness (mm)	8
Brake Disc Type	Solid Disc	Number of Bores	3
Centering Diameter (mm)	64.15	Number of Holes	5
Fitting Position	Rear Axle	Outer Diameter (mm)	282
Height (mm)	36.6	Pitch Circle	114.3



*All dimensions are in mm.

Cross References

ALLIED NIPPON	AND7214	APEC	DSK3427	HERTH+BUSS JAKOPARTS	J3314046
HONDA	42510-TGN-G00	HONDA	42510TGNG00	ZIMMERMANN	280.3190.20

Notes:

Manufacturers details are for guidance only. For pricing enquiries please contact our sales team on 01582 578 888

Comline Auto Parts Limited

Unit B1, Luton Enterprise Park, Sundon Road, Luton, Bedfordshire LU3 3GU

Tel: 01582 578 888 International Tel: +44 1582 578 888 Fax: 01582 578 889 International Fax: +44 1582 578 889

Email: sales@comline.uk.com Web: www.comline.uk.com



AUTO PARTS

Product Bulletin

ADC4032 - Brake disc

Buyers Guide

Make/Model	Litre	CC	Engine	HP	Model Year	Fitted Period
HONDA CIVIC X Hatchback (FC_, FK_)	1.5	1498	Petrol	182	2/2017 >	
HONDA CIVIC X Hatchback (FC_, FK_)	1.0	988	Petrol	129	2/2017 >	

Notes:

Manufacturers details are for guidance only. For pricing enquiries please contact our sales team on 01582 578 888

Comline Auto Parts Limited

Unit B1, Luton Enterprise Park, Sundon Road, Luton, Bedfordshire LU3 3GU

Tel: 01582 578 888 International Tel: +44 1582 578 888 Fax: 01582 578 889 International Fax: +44 1582 578 889

Email: sales@comline.uk.com **Web:** www.comline.uk.com