



AUTO PARTS

Product Bulletin

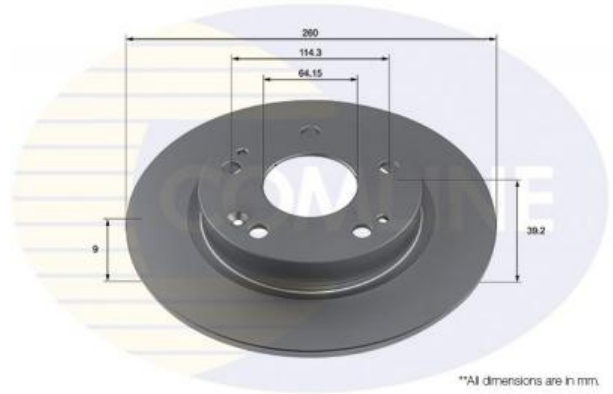
ADC4029 - Brake disc

Vehicles

HONDA

Technical Info

Brake Disc Thickness (mm)	9	Minimum Thickness (mm)	8
Brake Disc Type	Solid Disc	Number of Bores	3
Centering Diameter (mm)	64.15	Number of Holes	5
Fitting Position	Rear Axle	Outer Diameter (mm)	260
Height (mm)	39.2	Pitch Circle	114.3



*All dimensions are in mm.

Cross References

ALLIED NIPPON	AND7211	HERTH+BUSS JAKOPARTS	J3314047	HONDA	42510-TBA-A00
HONDA	42510TBA00	MOTAQUIP	LVBD1997		

Notes:

Manufacturers details are for guidance only. For pricing enquiries please contact our sales team on 01582 578 888

Comline Auto Parts Limited

Unit B1, Luton Enterprise Park, Sundon Road, Luton, Bedfordshire LU3 3GU

Tel: 01582 578 888 International Tel: +44 1582 578 888 Fax: 01582 578 889 International Fax: +44 1582 578 889

Email: sales@comline.uk.com **Web:** www.comline.uk.com



AUTO PARTS

Product Bulletin

ADC4029 - Brake disc

Buyers Guide

Make/Model	Litre	CC	Engine	HP	Model Year	Fitted Period
HONDA CIVIC X Hatchback (FC_, FK_)	1.0	988	Petrol	129	2/2017 >	

Notes:

Manufacturers details are for guidance only. For pricing enquiries please contact our sales team on 01582 578 888

Comline Auto Parts Limited

Unit B1, Luton Enterprise Park, Sundon Road, Luton, Bedfordshire LU3 3GU

Tel: 01582 578 888 International Tel: +44 1582 578 888 Fax: 01582 578 889 International Fax: +44 1582 578 889

Email: sales@comline.uk.com **Web:** www.comline.uk.com