



AUTO PARTS

Product Bulletin

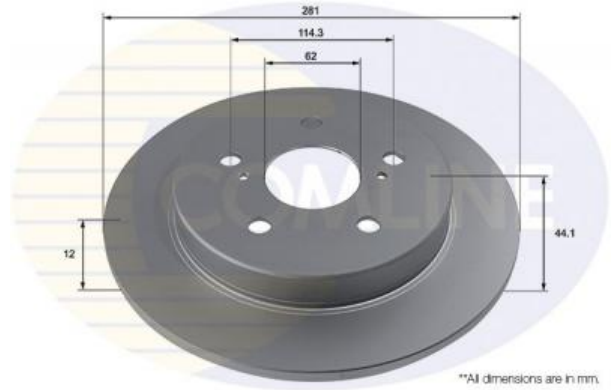
ADC2946 - Brake disc

Vehicles

LEXUS, TOYOTA,

Technical Info

Brake Disc Thickness (mm)	12	Minimum Thickness (mm)	10.5
Brake Disc Type	Solid Disc	Number of Bores	2
Centering Diameter (mm)	62	Number of Holes	5
Fitting Position	Rear Axle	Outer Diameter (mm)	281
Height (mm)	44.1	Pitch Circle	114.3



*All dimensions are in mm.

Cross References

A.B.S.	NIR-03-07-2018	ALLIED NIPPON	AND7128	APEC	DSK3203
BLUE PRINT	ADT343310	BORG & BECK	BBD5433	KAVO	BR-9532-C
LEXUS	42431-78010	MASTER-SPORT	NIR - 17-11-2017	MOTAQUIP	LVBD1970
NATIONAL	NBD1964	NIPPARTS	N3312081	OPTIMAL	BS-9142
PROTECHNIC	PRD5488	REMSA	NIR - 02-11-2017	ROADHOUSE	NIR - 02-11-2017
ZIMMERMANN	NIR 24-10-17				

Notes:

Manufacturers details are for guidance only. For pricing enquiries please contact our sales team on 01582 578 888

Comline Auto Parts Limited

Unit B1, Luton Enterprise Park, Sundon Road, Luton, Bedfordshire LU3 3GU

Tel: 01582 578 888 International Tel: +44 1582 578 888 Fax: 01582 578 889 International Fax: +44 1582 578 889

Email: sales@comline.uk.com **Web:** www.comline.uk.com



AUTO PARTS

Product Bulletin

ADC2946 - Brake disc

Buyers Guide

Make/Model	Litre	CC	Engine	HP	Model Year	Fitted Period
LEXUS NX (_Z1_)	2.0	1998	Petrol	238	7/2014 >	12/2014 >
LEXUS NX (_Z1_)	2.5	2494	Hybrid	155	7/2014 >	
LEXUS NX (_Z1_)	2.5	2494	Hybrid	155	7/2014 >	
TOYOTA C-HR (_X1_)	1.8	1798	Hybrid	98	10/2016 >	
TOYOTA C-HR (_X1_)	1.2	1197	Petrol	116	10/2016 >	
TOYOTA C-HR (_X1_)	1.2	1197	Petrol	116	10/2016 >	
TOYOTA C-HR (_X1_)	1.8	1798	Hybrid	122	10/2016 >	

Notes:

Manufacturers details are for guidance only. For pricing enquiries please contact our sales team on 01582 578 888

Comline Auto Parts Limited

Unit B1, Luton Enterprise Park, Sundon Road, Luton, Bedfordshire LU3 3GU

Tel: 01582 578 888 International Tel: +44 1582 578 888 Fax: 01582 578 889 International Fax: +44 1582 578 889

Email: sales@comline.uk.com **Web:** www.comline.uk.com