



AUTO PARTS

Product Bulletin

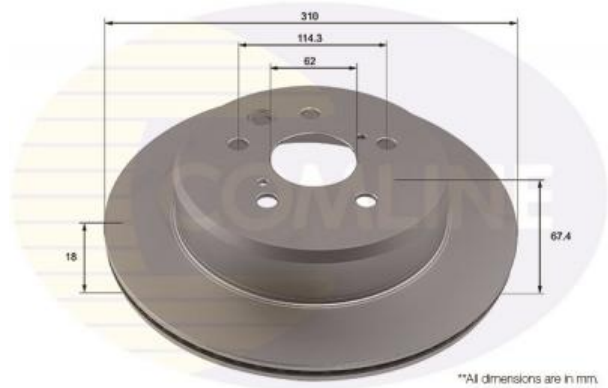
ADC2938V - Brake disc

Vehicles

LEXUS,

Technical Info

Brake Disc Thickness (mm)	18	Minimum Thickness (mm)	16.5
Brake Disc Type	Vented Disc	Number of Bores	3
Centering Diameter (mm)	62	Number of Holes	5
Fitting Position	Rear Axle	Outer Diameter (mm)	310
Height (mm)	67.4	Pitch Circle	114.3



*All dimensions are in mm.

Cross References

A.B.S.	NIR-03-07-2018	ALLIED NIPPON	AND7120	BLUE PRINT	NIR - 02-10-2017
GIRLING	6066912	ICER	NIR-18-01-2018	JAPKO	NIR-30-01-2018
JURATEK	NIR-08-02-2018	KAMOKA	NIR-13-02-2018	KAVO	BR-9542-C
LEXUS	4243130310	LPR	NIR-15-02-2018	MASTER-SPORT	NIR - 17-11-2017
METELLI	NIR-27-02-2018	NIPPARTS	N3312082	OPTIMAL	NIR-14-03-2018
PROTECHNIC	PRD6246	REMSA	NIR - 02-11-2017	ROADHOUSE	NIR - 02-11-2017
TRW	DF6691	ZIMMERMANN	NIR 24-10-17		

Notes:

Manufacturers details are for guidance only. For pricing enquiries please contact our sales team on 01582 578 888

Comline Auto Parts Limited

Unit B1, Luton Enterprise Park, Sundon Road, Luton, Bedfordshire LU3 3GU

Tel: 01582 578 888 International Tel: +44 1582 578 888 Fax: 01582 578 889 International Fax: +44 1582 578 889

Email: sales@comline.uk.com **Web:** www.comline.uk.com



AUTO PARTS

Product Bulletin

ADC2938V - Brake disc

Buyers Guide

Make/Model	Litre	CC	Engine	HP	Model Year	Fitted Period
LEXUS GS (_L1_)	2.5	2499	Petrol	209	1/2012 >	
LEXUS GS (_L1_)	3.5	3456	Hybrid	292	1/2012 >	
LEXUS GS (_L1_)	2.5	2494	Hybrid	181	10/2013 >	
LEXUS IS III (_E3_)	2.5	2499	Petrol	208	4/2013 >	
LEXUS IS III (_E3_)	2.5	2494	Hybrid	181	4/2013 >	
LEXUS IS III (_E3_)	2.0	1998	Petrol	245	8/2015 >	
LEXUS RC (_C1_)	5.0	4969	Petrol	477	8/2014 >	
LEXUS RC (_C1_)	5.0	4969	Petrol	468	8/2014 >	
LEXUS RC (_C1_)	5.0	4969	Petrol	449	8/2014 >	
LEXUS RC (_C1_)	2.5	2494	Hybrid	181	9/2014 >	
LEXUS RC (_C1_)	2.0	1998	Petrol	245	8/2015 >	

Notes:

Manufacturers details are for guidance only. For pricing enquiries please contact our sales team on 01582 578 888

Comline Auto Parts Limited

Unit B1, Luton Enterprise Park, Sundon Road, Luton, Bedfordshire LU3 3GU

Tel: 01582 578 888 International Tel: +44 1582 578 888 Fax: 01582 578 889 International Fax: +44 1582 578 889

Email: sales@comline.uk.com **Web:** www.comline.uk.com