



AUTO PARTS

# Product Bulletin

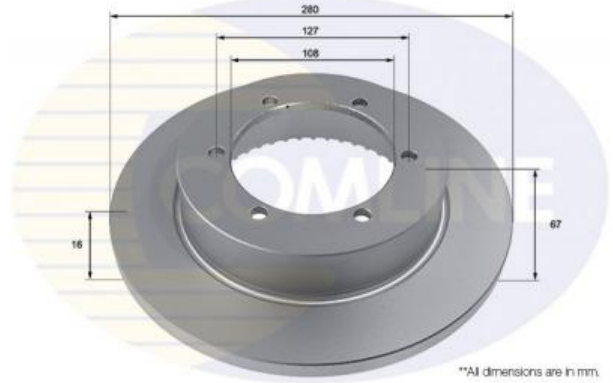
## ADC2937 - Brake disc

### Vehicles

NISSAN,

### Technical Info

Brake Disc Thickness (mm)	16	Minimum Thickness (mm)	13
Brake Disc Type	Solid Disc	Number of Holes	6
Centering Diameter (mm)	108	Outer Diameter (mm)	280
Fitting Position	Rear Axle	Pitch Circle	127
Height (mm)	67		



\*All dimensions are in mm.

### Cross References

<b>A.B.S.</b>	18416	<b>ALLIED NIPPON</b>	AND7119	<b>AP</b>	44114
<b>APEC</b>	DSK3075	<b>ASHIKA</b>	61-01-109	<b>ATE</b>	24.0116-0131.1
<b>BLUE PRINT</b>	ADN143135	<b>BORG &amp; BECK</b>	BBD5414	<b>BOSCH</b>	0 986 479 A94
<b>BREMBO</b>	08.9794.60	<b>DJ PARTS</b>	BD2107	<b>FERODO</b>	FCR369A
<b>ICER</b>	NIR-18-01-2018	<b>JAPANPARTS</b>	DP-109	<b>JAPKO</b>	61109
<b>JURATEK</b>	NIR-08-02-2018	<b>JURID</b>	562840JC	<b>KAISHIN</b>	CBR533
<b>KAMOKA</b>	NIR-13-02-2018	<b>KAVO</b>	BR-6832-C	<b>KAWE</b>	NCA1214.10
<b>LPR</b>	R1069PA	<b>MASTER-SPORT</b>	NIR - 17-11-2017	<b>METELLI</b>	NIR-27-02-2018
<b>MOTAQUIP</b>	LVBD1995	<b>NIPPARTS</b>	N3311055	<b>NISSAN</b>	43206MB60A
<b>OPTIMAL</b>	NIR-14-03-2018	<b>PROTECHNIC</b>	PRD6167	<b>REMSA</b>	NSX1214.10

### Notes:

Manufacturers details are for guidance only. For pricing enquiries please contact our sales team on 01582 578 888

### Comline Auto Parts Limited

Unit B1, Luton Enterprise Park, Sundon Road, Luton, Bedfordshire LU3 3GU

Tel: 01582 578 888 International Tel: +44 1582 578 888 Fax: 01582 578 889 International Fax: +44 1582 578 889

Email: [sales@comline.uk.com](mailto:sales@comline.uk.com) Web: [www.comline.uk.com](http://www.comline.uk.com)



**COMLINE**

**AUTO PARTS**

# Product Bulletin

**ADC2937 - Brake disc**

## Cross References

<b>OPTIMAL</b>	NIR-14-03-2018	<b>PROTECHNIC</b>	PRD6167	<b>REMSA</b>	NSX1214.10
<b>RENAULT</b>	5001871281	<b>ROADHOUSE</b>	NSX1214.10	<b>TRISCAN</b>	8120 14183C
<b>VILLAR</b>	628.2361	<b>WOKING</b>	NSA1214.10	<b>ZIMMERMANN</b>	NIR 24-10-17

### Notes:

Manufacturers details are for guidance only. For pricing enquiries please contact our sales team on 01582 578 888

### Comline Auto Parts Limited

Unit B1, Luton Enterprise Park, Sundon Road, Luton, Bedfordshire LU3 3GU

Tel: 01582 578 888 International Tel: +44 1582 578 888 Fax: 01582 578 889 International Fax: +44 1582 578 889

**Email:** [sales@comline.uk.com](mailto:sales@comline.uk.com) **Web:** [www.comline.uk.com](http://www.comline.uk.com)



**COMLINE**

**AUTO PARTS**

# Product Bulletin

## ADC2937 - Brake disc

### Buyers Guide

Make/Model	Litre	CC	Engine	HP	Model Year	Fitted Period
NISSAN CABSTAR (F24M, F24W)	2.5	2488	Diesel	110	9/2006 - 12/2013	2/2007 - 3/2012
NISSAN CABSTAR (F24M, F24W)	3.0	2953	Diesel	150	9/2006 - 12/2013	2/2007 - 3/2012
NISSAN CABSTAR (F24M, F24W)	2.5	2488	Diesel	136	9/2006 - 12/2013	12/2011 >
NISSAN CABSTAR E (TL_, VL_)	3.0	2953	Diesel	106	10/1998 - 10/2006	4/2004 >
NISSAN NT400 CABSTAR (F24F)	2.5	2488	Diesel	122	1/2014 >	
NISSAN NT400 CABSTAR (F24F)	2.5	2488	Diesel	136	1/2014 >	
NISSAN NT400 CABSTAR (F24F)	2.5	2488	Diesel	146	1/2014 >	

#### Notes:

Manufacturers details are for guidance only. For pricing enquiries please contact our sales team on 01582 578 888

#### Comline Auto Parts Limited

Unit B1, Luton Enterprise Park, Sundon Road, Luton, Bedfordshire LU3 3GU

Tel: 01582 578 888 International Tel: +44 1582 578 888 Fax: 01582 578 889 International Fax: +44 1582 578 889

**Email:** [sales@comline.uk.com](mailto:sales@comline.uk.com) **Web:** [www.comline.uk.com](http://www.comline.uk.com)