



**AUTO PARTS**

# Product Bulletin

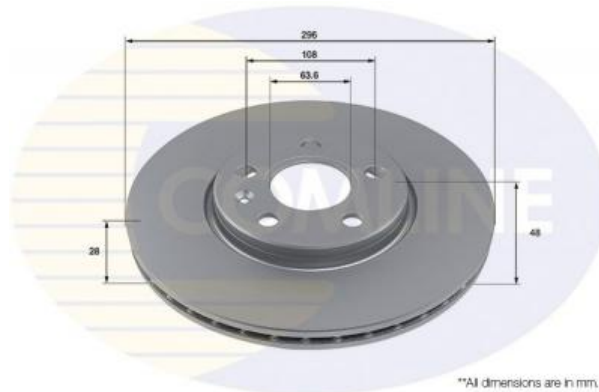
## ADC2916V - Brake disc

### Vehicles

VOLVO,

### Technical Info

Brake Disc Thickness (mm)	28	Minimum Thickness (mm)	25.5
Brake Disc Type	Vented Disc	Number of Bores	1
Centering Diameter (mm)	63.6	Number of Holes	5
Fitting Position	Front Axle	Outer Diameter (mm)	296
Height (mm)	48	Pitch Circle	108



\*All dimensions are in mm.

### Cross References

<b>A.B.S.</b>	18586	<b>ALLIED NIPPON</b>	AND7098	<b>APEC</b>	DSK3363
<b>ASHIKA</b>	NIR - 30-11-2017	<b>ATE</b>	NIR - 14-11-2017	<b>BLUE PRINT</b>	NIR - 02-10-2017
<b>BORG &amp; BECK</b>	BBD5493	<b>BORG &amp; BECK</b>	NIR - 14-12-2017	<b>BREMBO</b>	NIR-11-01-2018
<b>FEBI</b>	NIR-11-01-2018	<b>ICER</b>	NIR-18-01-2018	<b>JAPKO</b>	NIR-30-01-2018
<b>JURATEK</b>	NIR-08-02-2018	<b>KAMOKA</b>	NIR-13-02-2018	<b>LPR</b>	NIR-15-02-2018
<b>MASTER-SPORT</b>	NIR - 17-11-2017	<b>METELLI</b>	NIR-27-02-2018	<b>MINTEX</b>	MDC2762
<b>MOTAQUIP</b>	LVBD1852	<b>OPTIMAL</b>	NIR-14-03-2018	<b>PAGID</b>	55875HC
<b>REMSA</b>	NIR - 02-11-2017	<b>ROADHOUSE</b>	NIR - 02-11-2017	<b>TEXTAR</b>	92287505
<b>VOLVO</b>	31423722	<b>ZIMMERMANN</b>	NIR 24-10-17		

### Notes:

Manufacturers details are for guidance only. For pricing enquiries please contact our sales team on 01582 578 888

### Comline Auto Parts Limited

Unit B1, Luton Enterprise Park, Sundon Road, Luton, Bedfordshire LU3 3GU

Tel: 01582 578 888 International Tel: +44 1582 578 888 Fax: 01582 578 889 International Fax: +44 1582 578 889

**Email:** [sales@comline.uk.com](mailto:sales@comline.uk.com) **Web:** [www.comline.uk.com](http://www.comline.uk.com)



**AUTO PARTS**

# Product Bulletin

## ADC2916V - Brake disc

### Buyers Guide

Make/Model	Litre	CC	Engine	HP	Model Year	Fitted Period
VOLVO S90 II (234)	2.0	1969	Petrol	320	3/2016 >	
VOLVO S90 II (234)	2.0	1969	Petrol	250	10/2017 >	
VOLVO S90 II (234)	2.0	1969	Petrol	310	10/2017 >	
VOLVO S90 II (234)	2.0	1969	Petrol	190	10/2017 >	
VOLVO S90 II (234)	2.0	1969	Petrol	249	3/2016 >	
VOLVO S90 II (234)	2.0	1969	Diesel	150	3/2016 >	
VOLVO S90 II (234)	2.0	1969	Diesel	190	3/2016 >	
VOLVO S90 II (234)	2.0	1969	Hybrid	320	10/2017 >	
VOLVO S90 II (234)	2.0	1969	Diesel	235	3/2016 >	
VOLVO S90 II (234)	2.0	1969	Petrol	254	3/2016 >	
VOLVO S90 II (234)	2.0	1969	Diesel	190	3/2016 >	
VOLVO V90 II Estate (235, 236)	2.0	1969	Petrol	310	10/2017 >	
VOLVO V90 II Estate (235, 236)	2.0	1969	Petrol	250	10/2017 >	
VOLVO V90 II Estate (235, 236)	2.0	1969	Petrol	250	10/2017 >	
VOLVO V90 II Estate (235, 236)	2.0	1969	Diesel	190	3/2016 >	
VOLVO V90 II Estate (235, 236)	2.0	1969	Petrol	249	3/2016 >	
VOLVO V90 II Estate (235, 236)	2.0	1969	Diesel	150	3/2016 >	
VOLVO V90 II Estate (235, 236)	2.0	1969	Diesel	150	3/2016 >	
VOLVO V90 II Estate (235, 236)	2.0	1969	Petrol	254	3/2016 >	
VOLVO V90 II Estate (235, 236)	2.0	1969	Petrol	190	10/2017 >	

#### Notes:

Manufacturers details are for guidance only. For pricing enquiries please contact our sales team on 01582 578 888

#### Comline Auto Parts Limited

Unit B1, Luton Enterprise Park, Sundon Road, Luton, Bedfordshire LU3 3GU

Tel: 01582 578 888 International Tel: +44 1582 578 888 Fax: 01582 578 889 International Fax: +44 1582 578 889

**Email:** [sales@comline.uk.com](mailto:sales@comline.uk.com) **Web:** [www.comline.uk.com](http://www.comline.uk.com)