



AUTO PARTS

Product Bulletin

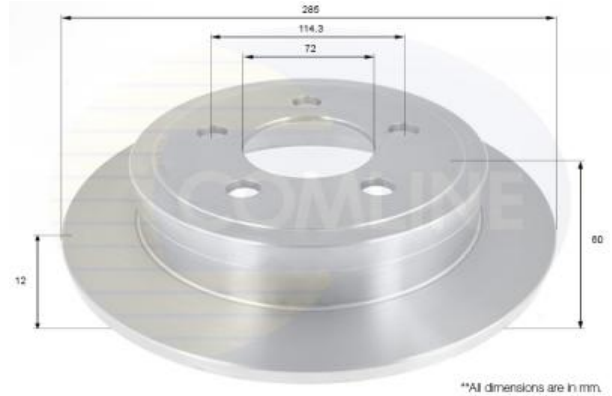
ADC2326 - Brake disc

Vehicles

JEEP,

Technical Info

Brake Disc Thickness (mm)	12	Minimum Thickness (mm)	11
Brake Disc Type	Solid Disc	Number of Holes	5
Centering Diameter (mm)	72	Outer Diameter (mm)	285
Fitting Position	Rear Axle	Pitch Circle	114.3
Height (mm)	60		



**All dimensions are in mm.

Cross References

A.B.S.	18199	ABE	C4Y003ABE	ALLIED NIPPON	AND6930
AP	14993	APEC	DSK2637	ASHIKA	61-09-905
ASHUKI	US104308	ATE	NIR - 14-11-2017	BETTAPARTS	BD1557S
BLUE PRINT	ADA104308	BORG & BECK	BBD4734	BORG & BECK	BBD5351
BRECO	BS 7785	BRECO	BS7785	BREMBO	08.A636.10
BREMBO	08.A636.11	CAR	142.337	DELPHI	BG4648
FEBI	NIR-11-01-2018	FERODO	DDF2288C	FREMAX	BD-5122
GIRLING	6063864	ICER	78BD5122-2	IPS-PARTS	IBP-1996
JAPANPARTS	DP-905	JAPKO	61905	JEEP	5016434AA
JEEP	52128411AA	JEEP	52128411AB	JEEP	K52128411AA

Notes:

Manufacturers details are for guidance only. For pricing enquiries please contact our sales team on 01582 578 888

Comline Auto Parts Limited

Unit B1, Luton Enterprise Park, Sundon Road, Luton, Bedfordshire LU3 3GU

Tel: 01582 578 888 International Tel: +44 1582 578 888 Fax: 01582 578 889 International Fax: +44 1582 578 889

Email: sales@comline.uk.com Web: www.comline.uk.com



AUTO PARTS

Product Bulletin

ADC2326 - Brake disc

Cross References

JEEP	52128411AA	JEEP	52128411AB	JEEP	K52128411AA
JEEP	K52128411AB	JURATEK	CHR112	KAMOKA	NIR-13-02-2018
LPR	J2006P	MASTER-SPORT	NIR - 17-11-2017	METELLI	23-1017C
MINTEX	MDC2391	NATIONAL	NBD1650	NK	209327
NK	319327	OPTIMAL	BS-7724	PAGID	54940
QH	BDC5867	REMSA	NIR - 02-11-2017	ROADHOUSE	NIR - 02-11-2017
SBS	1815209327	SBS	1815319327	TEXTAR	92194003
TRISCAN	8120 101018	TRISCAN	8120101018	TRW	DF6386
ZIMMERMANN	NIR 24-10-17				

Notes:

Manufacturers details are for guidance only. For pricing enquiries please contact our sales team on 01582 578 888

Comline Auto Parts Limited

Unit B1, Luton Enterprise Park, Sundon Road, Luton, Bedfordshire LU3 3GU

Tel: 01582 578 888 International Tel: +44 1582 578 888 Fax: 01582 578 889 International Fax: +44 1582 578 889

Email: sales@comline.uk.com **Web:** www.comline.uk.com



AUTO PARTS

Product Bulletin

ADC2326 - Brake disc

Buyers Guide

Make/Model	Litre	CC	Engine	HP	Model Year	Fitted Period
JEEP CHEROKEE (KJ)	2.8	2776	Diesel	163	11/2004 - 1/2008	2/2005 - 2/2006
JEEP CHEROKEE (KJ)	3.7	3700	Petrol	204	8/2003 - 1/2008	2/2004 - 11/2007
JEEP CHEROKEE (KJ)	2.4	2429	Petrol	147	10/2001 - 9/2004	2/2003 >
JEEP CHEROKEE (KJ)	3.7	3700	Petrol	204	10/2001 - 9/2004	2/2003 >
JEEP CHEROKEE (KJ)	2.8	2776	Diesel	150	11/2002 - 1/2008	> 11/2004
JEEP CHEROKEE (KJ)	2.5	2499	Diesel	143	9/2001 - 1/2008	2/2003 >
JEEP CHEROKEE (KJ)	3.7	3698	Petrol	211	9/2001 - 1/2008	2/2003 >
JEEP CHEROKEE (KJ)	2.4	2429	Petrol	147	9/2001 - 1/2008	2/2003 - 11/2007
JEEP CHEROKEE (KJ)	3.7	3700	Petrol	214	9/2001 - 10/2007	
JEEP WRANGLER II (TJ)	4.0	3964	Petrol	177	8/1996 - 4/2007	
JEEP WRANGLER Mk II (TJ)	4.0	3964	Petrol	174	8/2003 - 4/2007	
JEEP WRANGLER Mk II (TJ)	2.4	2429	Petrol	143	11/2002 - 4/2007	2/2003 >
JEEP WRANGLER Mk II (TJ)	4.0	3960	Petrol	169	6/1998 - 4/2007	
JEEP WRANGLER Mk II (TJ)	4.0	3960	Petrol	177	8/1996 - 4/2007	2/2003 >

Notes:

Manufacturers details are for guidance only. For pricing enquiries please contact our sales team on 01582 578 888

Comline Auto Parts Limited

Unit B1, Luton Enterprise Park, Sundon Road, Luton, Bedfordshire LU3 3GU

Tel: 01582 578 888 International Tel: +44 1582 578 888 Fax: 01582 578 889 International Fax: +44 1582 578 889

Email: sales@comline.uk.com **Web:** www.comline.uk.com