



**AUTO PARTS**

# Product Bulletin

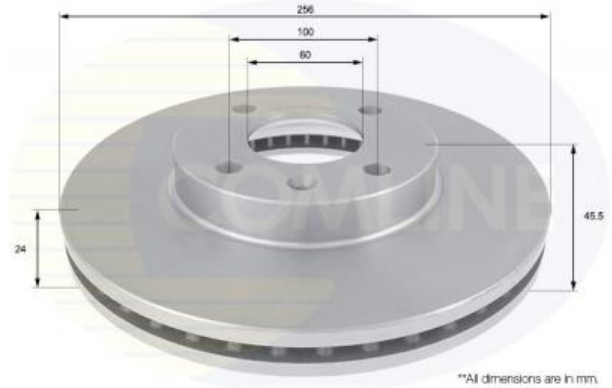
## ADC1158V - Brake disc

### Vehicles

CHEVROLET,

### Technical Info

<b>Brake Disc Thickness (mm)</b>	24	<b>Minimum Thickness (mm)</b>	21.8
<b>Brake Disc Type</b>	Vented Disc	<b>Number of Bores</b>	1
<b>Centering Diameter (mm)</b>	60	<b>Number of Holes</b>	4
<b>Fitting Position</b>	Front Axle	<b>Outer Diameter (mm)</b>	256
<b>Height (mm)</b>	45.5	<b>Pitch Circle</b>	100



\*All dimensions are in mm.

### Cross References

<b>A.B.S.</b>	18403	<b>ABE</b>	C30025ABE	<b>ALLIED NIPPON</b>	AND6765
<b>APEC</b>	DSK3026	<b>ASHIKA</b>	60-0W-W18	<b>ATE</b>	24.0124-0252.1
<b>BLUE PRINT</b>	ADG043174	<b>BORG &amp; BECK</b>	BBD5249	<b>BREMBO</b>	NIR-11-01-2018
<b>CHEVROLET</b>	13502001	<b>FEBI</b>	NIR-11-01-2018	<b>FRI.TECH.</b>	DF1540
<b>HERTH+BUSS JAKOPARTS</b>	J3300904	<b>ICER</b>	NIR-18-01-2018	<b>JAPKO</b>	60W18
<b>JURATEK</b>	NIR-08-02-2018	<b>KAMOKA</b>	NIR-13-02-2018	<b>KAWE</b>	61456 10
<b>KAWE</b>	6145610	<b>LPR</b>	D4002V	<b>MASTER-SPORT</b>	NIR - 17-11-2017
<b>METELLI</b>	23-1465C	<b>METZGER</b>	61456.1	<b>MEYLE</b>	29-15 521 0010
<b>MINTEX</b>	MDC2514	<b>MOTAQUIP</b>	LVBD1819	<b>NK</b>	205019
<b>NK</b>	315019	<b>OPTIMAL</b>	BS-9290	<b>PAGID</b>	55414

### Notes:

Manufacturers details are for guidance only. For pricing enquiries please contact our sales team on 01582 578 888

### Comline Auto Parts Limited

Unit B1, Luton Enterprise Park, Sundon Road, Luton, Bedfordshire LU3 3GU

Tel: 01582 578 888 International Tel: +44 1582 578 888 Fax: 01582 578 889 International Fax: +44 1582 578 889

**Email:** [sales@comline.uk.com](mailto:sales@comline.uk.com) **Web:** [www.comline.uk.com](http://www.comline.uk.com)



**COMLINE**

**AUTO PARTS**

# Product Bulletin

## ADC1158V - Brake disc

### Cross References

<b>NK</b>	315019	<b>OPTIMAL</b>	BS-9290	<b>PAGID</b>	55414
<b>REMSA</b>	61456.10	<b>ROADHOUSE</b>	61456.10	<b>SBS</b>	1815205019
<b>SBS</b>	1815315019	<b>TEXTAR</b>	92241400	<b>TRUSTING</b>	DF1540
<b>TRW</b>	DF6254	<b>WOKING</b>	D61456.10	<b>ZIMMERMANN</b>	185.3955.20

#### Notes:

Manufacturers details are for guidance only. For pricing enquiries please contact our sales team on 01582 578 888

#### Comline Auto Parts Limited

Unit B1, Luton Enterprise Park, Sundon Road, Luton, Bedfordshire LU3 3GU

Tel: 01582 578 888 International Tel: +44 1582 578 888 Fax: 01582 578 889 International Fax: +44 1582 578 889

**Email:** [sales@comline.uk.com](mailto:sales@comline.uk.com) **Web:** [www.comline.uk.com](http://www.comline.uk.com)



**AUTO PARTS**

# Product Bulletin

## ADC1158V - Brake disc

### Buyers Guide

Make/Model	Litre	CC	Engine	HP	Model Year	Fitted Period
CHEVROLET AVEO Hatchback (T300)	1.4	1364	Petrol	140	8/2013 >	
CHEVROLET AVEO Hatchback (T300)	1.2	1229	Petrol	69	3/2011 >	
CHEVROLET AVEO Hatchback (T300)	1.2	1229	Petrol	86	3/2011 >	
CHEVROLET AVEO Hatchback (T300)	1.4	1398	Petrol	101	3/2011 >	
CHEVROLET AVEO Hatchback (T300)	1.2	1229	Petrol	86	11/2012 - 12/2015	
CHEVROLET AVEO Hatchback (T300)	1.6	1598	Petrol	116	3/2011 >	
CHEVROLET AVEO Hatchback (T300)	1.3	1248	Diesel	95	7/2011 >	
CHEVROLET AVEO Hatchback (T300)	1.3	1248	Diesel	75	7/2011 >	
CHEVROLET AVEO Saloon (T300)	1.3	1248	Diesel	95	7/2011 >	
CHEVROLET AVEO Saloon (T300)	1.3	1248	Diesel	75	7/2011 >	
CHEVROLET AVEO Saloon (T300)	1.2	1229	Petrol	69	3/2011 >	
CHEVROLET AVEO Saloon (T300)	1.4	1398	Petrol	100	7/2011 >	
CHEVROLET AVEO Saloon (T300)	1.6	1598	Petrol	116	3/2011 >	
CHEVROLET AVEO Saloon (T300)	1.2	1229	Petrol	86	3/2011 >	
CHEVROLET AVEO Saloon (T300)	1.2	1229	Petrol	86	11/2012 - 12/2015	

#### Notes:

Manufacturers details are for guidance only. For pricing enquiries please contact our sales team on 01582 578 888

#### Comline Auto Parts Limited

Unit B1, Luton Enterprise Park, Sundon Road, Luton, Bedfordshire LU3 3GU

Tel: 01582 578 888 International Tel: +44 1582 578 888 Fax: 01582 578 889 International Fax: +44 1582 578 889

**Email:** [sales@comline.uk.com](mailto:sales@comline.uk.com) **Web:** [www.comline.uk.com](http://www.comline.uk.com)