



**AUTO PARTS**

# Product Bulletin

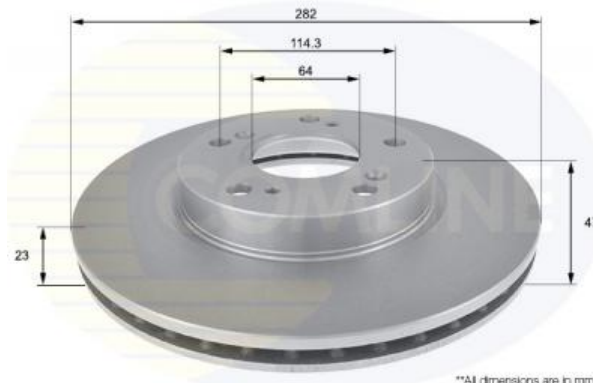
## ADC0574V - Brake disc

### Vehicles

HONDA,

### Technical Info

<b>Brake Disc Thickness (mm)</b>	23	<b>Minimum Thickness (mm)</b>	21
<b>Brake Disc Type</b>	Vented Disc	<b>Number of Bores</b>	4
<b>Centering Diameter (mm)</b>	64	<b>Number of Holes</b>	5
<b>Fitting Position</b>	Front Axle	<b>Outer Diameter (mm)</b>	282
<b>Height (mm)</b>	47	<b>Pitch Circle</b>	114.3



\*All dimensions are in mm.

### Cross References

<b>A.B.S.</b>	18505	<b>ACDELCO</b>	AC3637D	<b>ALLIED NIPPON</b>	AND6910
<b>AP</b>	22018 E	<b>AP</b>	22018E	<b>APEC</b>	DSK3014
<b>ASHIKA</b>	60-04-428	<b>ATE</b>	NIR - 14-11-2017	<b>BLUE PRINT</b>	NIR - 02-10-2017
<b>BORG &amp; BECK</b>	BBD5315	<b>BRECO</b>	BS 8376	<b>BRECO</b>	BS8376
<b>BREMBO</b>	09.7932.11	<b>BREMBO</b>	09.7932.14	<b>CAR</b>	142.1627
<b>FEBI</b>	NIR-11-01-2018	<b>FRI.TECH.</b>	DF1308	<b>HONDA</b>	45251SDCA00
<b>HONDA</b>	45251TA0A00	<b>HONDA</b>	45251TA0A01	<b>ICER</b>	NIR-18-01-2018
<b>JAPANPARTS</b>	DI-428	<b>JAPKO</b>	60428	<b>JURATEK</b>	NIR-08-02-2018
<b>KAISHIN</b>	CBR470	<b>KAMOKA</b>	NIR-13-02-2018	<b>KAVO</b>	BR-2286
<b>LPR</b>	H1046V	<b>MASTER-SPORT</b>	NIR - 17-11-2017	<b>METELLI</b>	23-1685C

### Notes:

Manufacturers details are for guidance only. For pricing enquiries please contact our sales team on 01582 578 888

### Comline Auto Parts Limited

Unit B1, Luton Enterprise Park, Sundon Road, Luton, Bedfordshire LU3 3GU

Tel: 01582 578 888 International Tel: +44 1582 578 888 Fax: 01582 578 889 International Fax: +44 1582 578 889

**Email:** [sales@comline.uk.com](mailto:sales@comline.uk.com) **Web:** [www.comline.uk.com](http://www.comline.uk.com)



**AUTO PARTS**

# Product Bulletin

## ADC0574V - Brake disc

### Cross References

<b>LPR</b>	H1046V	<b>MASTER-SPORT</b>	NIR - 17-11-2017	<b>METELLI</b>	23-1685C
<b>MINTEX</b>	MDC2400	<b>NK</b>	202659	<b>OPTIMAL</b>	NIR-14-03-2018
<b>PAGID</b>	55275	<b>QH</b>	BDC6012	<b>REMSA</b>	NIR - 02-11-2017
<b>ROADHOUSE</b>	NIR - 02-11-2017	<b>SBS</b>	1815202659	<b>TEXTAR</b>	92227503
<b>TRUSTING</b>	DF1308	<b>TRW</b>	DF7199	<b>VILLAR</b>	628.197
<b>VILLAR</b>	628.1970	<b>ZIMMERMANN</b>	NIR 24-10-17		

#### Notes:

Manufacturers details are for guidance only. For pricing enquiries please contact our sales team on 01582 578 888

#### Comline Auto Parts Limited

Unit B1, Luton Enterprise Park, Sundon Road, Luton, Bedfordshire LU3 3GU

Tel: 01582 578 888 International Tel: +44 1582 578 888 Fax: 01582 578 889 International Fax: +44 1582 578 889

**Email:** [sales@comline.uk.com](mailto:sales@comline.uk.com) **Web:** [www.comline.uk.com](http://www.comline.uk.com)



**AUTO PARTS**

# Product Bulletin

## ADC0574V - Brake disc

### Buyers Guide

Make/Model	Litre	CC	Engine	HP	Model Year	Fitted Period
HONDA ACCORD VII (CL, CN)	2.0	1998	Petrol	155	2/2003 - 5/2008	
HONDA ACCORD VII (CL, CN)	2.4	2354	Petrol	190	2/2003 - 5/2008	
HONDA ACCORD VII (CL, CN)	2.0	1998	Petrol	155	2/2003 - 5/2008	
HONDA ACCORD VII (CM)	2.4	2354	Petrol	160	9/2002 - 12/2005	
HONDA ACCORD VII (CM)	3.0	2997	Petrol	241	5/2003 - 12/2005	
HONDA ACCORD VII Tourer (CM, CN)	2.0	1998	Petrol	155	4/2003 - 5/2008	
HONDA ACCORD VII Tourer (CM, CN)	2.4	2354	Petrol	190	4/2003 - 5/2008	

#### Notes:

Manufacturers details are for guidance only. For pricing enquiries please contact our sales team on 01582 578 888

#### Comline Auto Parts Limited

Unit B1, Luton Enterprise Park, Sundon Road, Luton, Bedfordshire LU3 3GU

Tel: 01582 578 888 International Tel: +44 1582 578 888 Fax: 01582 578 889 International Fax: +44 1582 578 889

**Email:** [sales@comline.uk.com](mailto:sales@comline.uk.com) **Web:** [www.comline.uk.com](http://www.comline.uk.com)