



AUTO PARTS

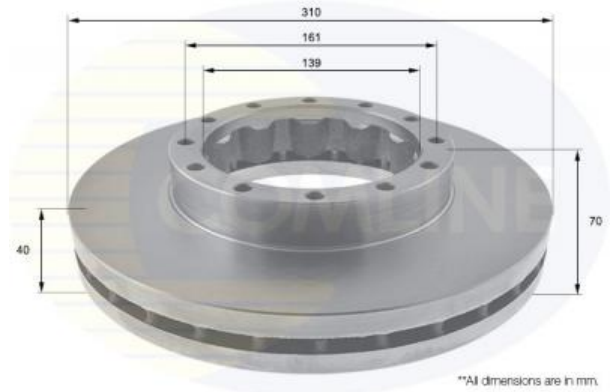
# Product Bulletin

## ADC0384V - Brake disc

### Vehicles

### Technical Info

Brake Disc Thickness (mm)	40	Minimum Thickness (mm)	37
Brake Disc Type	Vented Disc	Number of Holes	12
Centering Diameter (mm)	139	Outer Diameter (mm)	310
Fitting Position	Rear Axle	Pitch Circle	161
Height (mm)	70		



### Cross References

#### Notes:

Manufacturers details are for guidance only. For pricing enquiries please contact our sales team on 01582 578 888

#### Comline Auto Parts Limited

Unit B1, Luton Enterprise Park, Sundon Road, Luton, Bedfordshire LU3 3GU

Tel: 01582 578 888 International Tel: +44 1582 578 888 Fax: 01582 578 889 International Fax: +44 1582 578 889

Email: [sales@comline.uk.com](mailto:sales@comline.uk.com) Web: [www.comline.uk.com](http://www.comline.uk.com)



**COMLINE**

**AUTO PARTS**

# Product Bulletin

ADC0384V - Brake disc

## Buyers Guide

Make/Model	Litre	CC	Engine	HP	Model Year	Fitted Period
------------	-------	----	--------	----	------------	---------------

### Notes:

Manufacturers details are for guidance only. For pricing enquiries please contact our sales team on 01582 578 888

### Comline Auto Parts Limited

Unit B1, Luton Enterprise Park, Sundon Road, Luton, Bedfordshire LU3 3GU

Tel: 01582 578 888 International Tel: +44 1582 578 888 Fax: 01582 578 889 International Fax: +44 1582 578 889

**Email:** [sales@comline.uk.com](mailto:sales@comline.uk.com) **Web:** [www.comline.uk.com](http://www.comline.uk.com)