



**AUTO PARTS**

# Product Bulletin

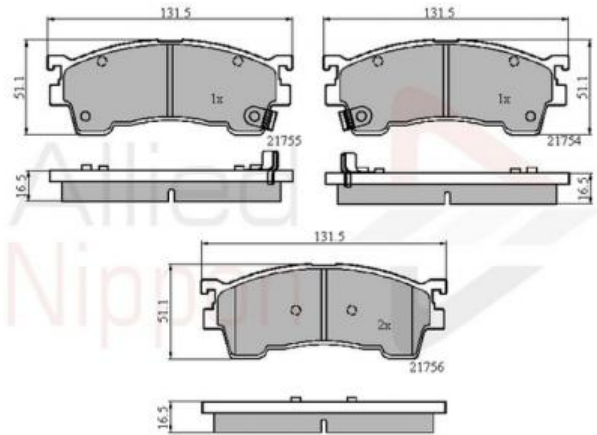
## ADB3823 - Brake pad set, disc brake

### Vehicles

FORD USA, MAZDA,

### Technical Info

Fitting Position	Front Axle
Length (mm)	131.5
Part Info	With acoustic wear warning
Thickness (mm)	16.5
Width (mm)	51.1



### Cross References

<b>A.B.S.</b>	36795	<b>A.B.S.</b>	37187	<b>ACDELCO</b>	AC679881D
<b>APEC</b>	PAD1100	<b>ASHIKA</b>	NIR - 11-12-2017	<b>ATE</b>	NIR - 14-11-2017
<b>BENDIX</b>	572317B	<b>BETTAPARTS</b>	ABP3658	<b>BETTAPARTS</b>	PLU3658
<b>BLUE PRINT</b>	ADM54250	<b>BORG &amp; BECK</b>	BBP1750	<b>Brake Fit</b>	PD3136
<b>BRAKE-ENGG</b>	PA1365	<b>BREMBO</b>	P49023	<b>COMLINE</b>	CBP3823
<b>DELPHI</b>	LP1518	<b>EBC</b>	DP1409	<b>EFI</b>	EDP1409
<b>EURO-FRIC</b>	EDP1459	<b>FEBI</b>	NIR-11-01-2018	<b>FERODO</b>	FDB984
<b>FERODO</b>	FSL984	<b>FIRST LINE</b>	FBP3379	<b>FORD</b>	3401278
<b>FORD</b>	341278	<b>FORD</b>	3894048	<b>FORD</b>	3915220
<b>FORD</b>	3922123	<b>FORD</b>	3975114	<b>FORD</b>	4182657

### Notes:

Manufacturers details are for guidance only. For pricing enquiries please contact our sales team on 01582 578 888

### Comline Auto Parts Limited

Unit B1, Luton Enterprise Park, Sundon Road, Luton, Bedfordshire LU3 3GU

Tel: 01582 578 888 International Tel: +44 1582 578 888 Fax: 01582 578 889 International Fax: +44 1582 578 889

**Email:** [sales@comline.uk.com](mailto:sales@comline.uk.com) **Web:** [www.comline.uk.com](http://www.comline.uk.com)



**AUTO PARTS**

# Product Bulletin

## ADB3823 - Brake pad set, disc brake

### Cross References

<b>FORD</b>	3922123	<b>FORD</b>	3975114	<b>FORD</b>	4182657
<b>FORD</b>	GAYR3323ZE	<b>FORD</b>	GCYD3323ZC	<b>HERTH+BUSS JAKOPARTS</b>	J3603038
<b>HP</b>	7255	<b>ICER</b>	180971-203	<b>JAPKO</b>	NIR-30-01-2018
<b>JURATEK</b>	NIR-08-02-2018	<b>KAMOKA</b>	NIR-13-02-2018	<b>LPR</b>	05P1045
<b>MAZDA</b>	BLYM3323Z	<b>MAZDA</b>	CBY03328Z	<b>MAZDA</b>	CBY13323ZA
<b>MAZDA</b>	CBY13323ZC	<b>MAZDA</b>	CBY13323ZD	<b>MAZDA</b>	CBY13323ZE
<b>MAZDA</b>	CBY13323ZF	<b>MAZDA</b>	CBY13323ZG	<b>MAZDA</b>	CBY93323Z
<b>MAZDA</b>	CBY93328Z	<b>MAZDA</b>	CBY93328Z9C	<b>MAZDA</b>	G5Y63323Z
<b>MAZDA</b>	G5Y63328Z	<b>MAZDA</b>	GAYR2323ZB	<b>MAZDA</b>	GAYR2328Z
<b>MAZDA</b>	GAYR2328ZA	<b>MAZDA</b>	GAYR3323Z	<b>MAZDA</b>	GAYR3323ZA
<b>MAZDA</b>	GAYR3323ZB	<b>MAZDA</b>	GAYR3323ZB9A	<b>MAZDA</b>	GAYR3323ZC
<b>MAZDA</b>	GAYR3323ZD	<b>MAZDA</b>	GAYR3328Z9C	<b>MAZDA</b>	GAYR3328ZB
<b>MAZDA</b>	GAYR3328ZC	<b>MAZDA</b>	GAYR3328ZD	<b>MAZDA</b>	GCYD3323Z
<b>MAZDA</b>	GCYD3323ZA	<b>MAZDA</b>	GCYD3323ZB	<b>MAZDA</b>	GEYV3323Z
<b>MAZDA</b>	GEYV3328Z9C	<b>MAZDA</b>	GPYB3328ZD	<b>METELLI</b>	NIR-27-02-2018
<b>MEYLE</b>	025 217 5416/PD	<b>MEYLE</b>	025 217 5416/W	<b>MEYLE</b>	MBP0192
<b>MEYLE</b>	MBP0771PD	<b>MINTEX</b>	MDB2054	<b>MINTEX</b>	MDB2757
<b>MITSUBISHI</b>	CBY03323Z	<b>MITSUBISHI</b>	G5Y63323ZA	<b>MITSUBISHI</b>	G5Y63323ZD
<b>MITSUBISHI</b>	G5Y63328ZA	<b>MITSUBISHI</b>	GAYR3328ZA9C	<b>MITSUBISHI</b>	GAYR3328ZE
<b>MITSUBISHI</b>	GCYD3323ZE	<b>MITSUBISHI</b>	GEYA3323Z	<b>MITSUBISHI</b>	GEYV3328Z
<b>MITSUBISHI</b>	GHYD3328Z	<b>MOTAQUIP</b>	LVXL1209	<b>NIPPARTS</b>	J3603061D
<b>NK</b>	223213	<b>OPTIMAL</b>	NIR-14-03-2018	<b>QH</b>	BP751

### Notes:

Manufacturers details are for guidance only. For pricing enquiries please contact our sales team on 01582 578 888

### Comline Auto Parts Limited

Unit B1, Luton Enterprise Park, Sundon Road, Luton, Bedfordshire LU3 3GU

Tel: 01582 578 888 International Tel: +44 1582 578 888 Fax: 01582 578 889 International Fax: +44 1582 578 889

**Email:** [sales@comline.uk.com](mailto:sales@comline.uk.com) **Web:** [www.comline.uk.com](http://www.comline.uk.com)



**AUTO PARTS**

# Product Bulletin

## ADB3823 - Brake pad set, disc brake

### Cross References

<b>OPTIMAL</b>	NIR-14-03-2018	<b>QH</b>	BP751	<b>REMSA</b>	0415.22
<b>ROADHOUSE</b>	2415.22	<b>SAMKO</b>	5SP1017	<b>TRUPARTS</b>	DP41100
<b>TRUSTING</b>	232.0	<b>TRW</b>	GDB3192	<b>TRW</b>	GDB3209
<b>TRW</b>	GDB981	<b>VECO</b>	VA1007	<b>WVA</b>	21754
<b>WVA</b>	21755	<b>WVA</b>	2175516.5	<b>WVA</b>	21756
<b>ZIMMERMANN</b>	24004.165.1				

#### Notes:

Manufacturers details are for guidance only. For pricing enquiries please contact our sales team on 01582 578 888

#### Comline Auto Parts Limited

Unit B1, Luton Enterprise Park, Sundon Road, Luton, Bedfordshire LU3 3GU

Tel: 01582 578 888 International Tel: +44 1582 578 888 Fax: 01582 578 889 International Fax: +44 1582 578 889

**Email:** [sales@comline.uk.com](mailto:sales@comline.uk.com) **Web:** [www.comline.uk.com](http://www.comline.uk.com)



# Product Bulletin

## ADB3823 - Brake pad set, disc brake

### Buyers Guide

Make/Model	Litre	CC	Engine	HP	Model Year	Fitted Period
FORD USA PROBE Mk II (ECP)	2.0	1991	Petrol	116	10/1993 - 3/1998	
MAZDA 323 F/P Mk VI (BJ)	2.0	1998	Diesel	101	1/2001 - 5/2004	
MAZDA 323 F/P Mk VI (BJ)	1.9	1840	Petrol	114	9/1998 - 1/2001	
MAZDA 323 F/P Mk VI (BJ)	1.6	1598	Petrol	95	1/2001 - 5/2004	
MAZDA 323 F/P Mk VI (BJ)	1.6	1598	Petrol	98	1/2001 - 5/2004	
MAZDA 626 Mk V Hatchback (GF)	1.8	1840	Petrol	100	12/1999 - 10/2002	
MAZDA 626 Mk V Hatchback (GF)	1.8	1840	Petrol	90	5/1997 - 12/1999	
MAZDA PREMACY (CP)	2.0	1998	Diesel	90	10/1999 - 7/2000	
MAZDA PREMACY (CP)	1.9	1840	Petrol	114	7/1999 - 3/2005	
MAZDA PREMACY (CP)	1.9	1840	Petrol	100	7/1999 - 3/2005	
MAZDA PREMACY (CP)	2.0	1998	Diesel	101	7/2000 - 3/2005	

### Notes:

Manufacturers details are for guidance only. For pricing enquiries please contact our sales team on 01582 578 888

### Comline Auto Parts Limited

Unit B1, Luton Enterprise Park, Sundon Road, Luton, Bedfordshire LU3 3GU

Tel: 01582 578 888 International Tel: +44 1582 578 888 Fax: 01582 578 889 International Fax: +44 1582 578 889

**Email:** [sales@comline.uk.com](mailto:sales@comline.uk.com) **Web:** [www.comline.uk.com](http://www.comline.uk.com)