



AUTO PARTS

# Product Bulletin

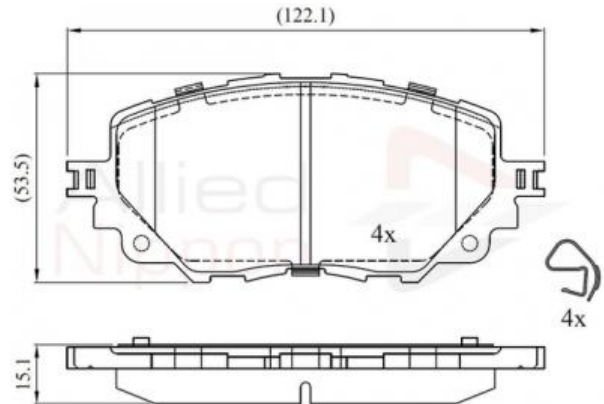
## ADB32447 - Brake pad set, disc brake

### Vehicles

FIAT, MAZDA,

### Technical Info

Fitting Position	Front Axle
Length (mm)	122.2
Part Info	With Fixed Wear Indicator
Thickness (mm)	14.5
Width (mm)	53.5



### Cross References

APEC

PAD2141

MAZDA

N2Y3-33-28ZD

### Notes:

Manufacturers details are for guidance only. For pricing enquiries please contact our sales team on 01582 578 888

### Comline Auto Parts Limited

Unit B1, Luton Enterprise Park, Sundon Road, Luton, Bedfordshire LU3 3GU

Tel: 01582 578 888 International Tel: +44 1582 578 888 Fax: 01582 578 889 International Fax: +44 1582 578 889

Email: [sales@comline.uk.com](mailto:sales@comline.uk.com) Web: [www.comline.uk.com](http://www.comline.uk.com)



**AUTO PARTS**

# Product Bulletin

ADB32447 - Brake pad set, disc brake

## Buyers Guide

Make/Model	Litre	CC	Engine	HP	Model Year	Fitted Period
FIAT 124 Spider (348_)	1.4	1368	Petrol	140	3/2016 >	
MAZDA MX-5 IV (ND)	1.5	1496	Petrol	131	6/2015 >	
MAZDA MX-5 IV (ND)	2.0	1998	Petrol	160	6/2015 >	
MAZDA MX-5 IV (ND)	1.5	1496	Petrol	132	5/2018 >	
MAZDA MX-5 IV (ND)	2.0	1998	Petrol	184	5/2018 >	
MAZDA MX-5 RF Targa (ND)	2.0	1998	Petrol	160	12/2016 >	
MAZDA MX-5 RF Targa (ND)	1.5	1496	Petrol	131	8/2017 >	
MAZDA MX-5 RF Targa (ND)	1.5	1496	Petrol	132	5/2018 >	
MAZDA MX-5 RF Targa (ND)	2.0	1998	Petrol	184	5/2018 >	

### Notes:

Manufacturers details are for guidance only. For pricing enquiries please contact our sales team on 01582 578 888

### Comline Auto Parts Limited

Unit B1, Luton Enterprise Park, Sundon Road, Luton, Bedfordshire LU3 3GU

Tel: 01582 578 888 International Tel: +44 1582 578 888 Fax: 01582 578 889 International Fax: +44 1582 578 889

**Email:** [sales@comline.uk.com](mailto:sales@comline.uk.com) **Web:** [www.comline.uk.com](http://www.comline.uk.com)