



AUTO PARTS

Product Bulletin

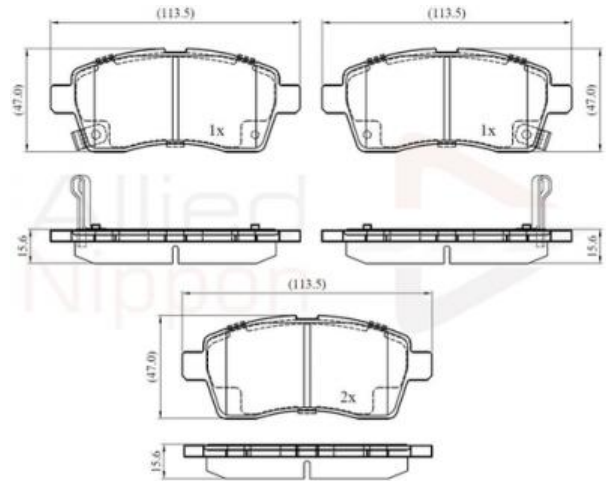
ADB32439 - Brake pad set, disc brake

Vehicles

SUZUKI,

Technical Info

Fitting Position	Front Axle
Length (mm)	113.6
Part Info	With acoustic wear warning
Thickness (mm)	14.9
Width (mm)	47.4



Cross References

BLUE PRINT	ADK84245	SUZUKI	55810-62R00	SUZUKI	55810-62R00-000
------------	----------	--------	-------------	--------	-----------------

Notes:

Manufacturers details are for guidance only. For pricing enquiries please contact our sales team on 01582 578 888

Comline Auto Parts Limited

Unit B1, Luton Enterprise Park, Sundon Road, Luton, Bedfordshire LU3 3GU

Tel: 01582 578 888 International Tel: +44 1582 578 888 Fax: 01582 578 889 International Fax: +44 1582 578 889

Email: sales@comline.uk.com Web: www.comline.uk.com



AUTO PARTS

Product Bulletin

ADB32439 - Brake pad set, disc brake

Buyers Guide

Make/Model	Litre	CC	Engine	HP	Model Year	Fitted Period
SUZUKI IGNIS III (MF)	1.2	1242	Petrol	90	10/2016 >	
SUZUKI IGNIS III (MF)	1.2	1242	Petrol	90	10/2016 >	
SUZUKI IGNIS III (MF)	1.2	1242	Hybrid	90	10/2016 >	
SUZUKI IGNIS III (MF)	1.2	1242	Hybrid	90	10/2016 >	

Notes:

Manufacturers details are for guidance only. For pricing enquiries please contact our sales team on 01582 578 888

Comline Auto Parts Limited

Unit B1, Luton Enterprise Park, Sundon Road, Luton, Bedfordshire LU3 3GU

Tel: 01582 578 888 International Tel: +44 1582 578 888 Fax: 01582 578 889 International Fax: +44 1582 578 889

Email: sales@comline.uk.com **Web:** www.comline.uk.com