



AUTO PARTS

Product Bulletin

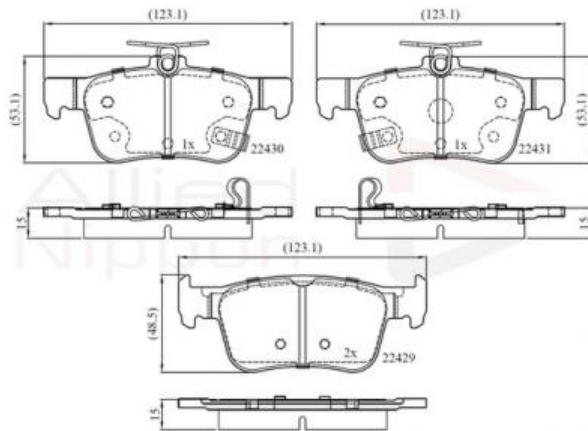
ADB32407 - Brake pad set, disc brake

Vehicles

HONDA

Technical Info

Fitting Position	Rear Axle
Length (mm)	123.1
Part Info	With acoustic wear warning
Thickness (mm)	15
Width 2 (mm)	48.5



Cross References

APEC	PAD2136	BLUE PRINT	ADH242101	BORG & BECK	BBP2582
BREMBO	P 28 089	BREMBO	P28089	CIFAM	822-1131-0
DELPHI	LP3391	FRI.TECH.	1131.0	HERTH+BUSS	J3614021
				JAKOPARTS	
HONDA	43022-TBA-A02	HONDA	43022TBAA02	HONDA	43022TGHA01
HONDA	43022TGNG02	KAVO	KBP-2068	KAWE	1551 32
KAWE	155132	METELLI	22-1131-0	MINTEX	MDB3923
PAGID	T2585	RAICAM	RA.1112.3	REMSA	1551.32
ROADHOUSE	21551.32	TEXTAR	2242901	TRUSTING	1131.0
WOKING	P14513.32				

Notes:

Manufacturers details are for guidance only. For pricing enquiries please contact our sales team on 01582 578 888

Comline Auto Parts Limited

Unit B1, Luton Enterprise Park, Sundon Road, Luton, Bedfordshire LU3 3GU

Tel: 01582 578 888 International Tel: +44 1582 578 888 Fax: 01582 578 889 International Fax: +44 1582 578 889

Email: sales@comline.uk.com Web: www.comline.uk.com



AUTO PARTS

Product Bulletin

ADB32407 - Brake pad set, disc brake

Buyers Guide

Make/Model	Litre	CC	Engine	HP	Model Year	Fitted Period
HONDA CIVIC X Saloon (FC_)	1.5	1498	Petrol	182	8/2016 >	

Notes:

Manufacturers details are for guidance only. For pricing enquiries please contact our sales team on 01582 578 888

Comline Auto Parts Limited

Unit B1, Luton Enterprise Park, Sundon Road, Luton, Bedfordshire LU3 3GU

Tel: 01582 578 888 International Tel: +44 1582 578 888 Fax: 01582 578 889 International Fax: +44 1582 578 889

Email: sales@comline.uk.com **Web:** www.comline.uk.com