



**AUTO PARTS**

# Product Bulletin

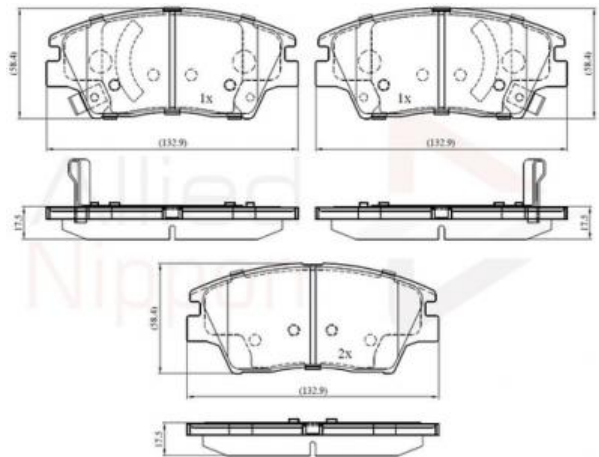
## ADB32322 - Brake pad set, disc brake

### Vehicles

SSANGYONG,

### Technical Info

<b>Fitting Position</b>	Front Axle
<b>Length (mm)</b>	132.9
<b>Notes</b>	Number of wear Indicators - 2
<b>Part Info</b>	With acoustic wear warning
<b>Thickness (mm)</b>	18
<b>Width (mm)</b>	58.4



### Cross References

<b>ASHIKA</b>	50-0S-S04	<b>BLUE PRINT</b>	ADG042168	<b>BORG &amp; BECK</b>	BBP2606
<b>BREMBO</b>	P 77 001	<b>BREMBO</b>	P77001	<b>DELPHI</b>	LP3263
<b>HERTH+BUSS JAKOPARTS</b>	J3600409	<b>ICER</b>	182293	<b>JAPANPARTS</b>	PA-S04AF
<b>JAPKO</b>	50S04	<b>KAVO</b>	KBP-7510	<b>MINTEX</b>	MDB3819
<b>PAGID</b>	T2493	<b>R BRAKE</b>	RB2293	<b>SSANGYONG</b>	48130-350B0
<b>SSANGYONG</b>	48130350BO	<b>TEXTAR</b>	2259001		

### Notes:

Manufacturers details are for guidance only. For pricing enquiries please contact our sales team on 01582 578 888

### Comline Auto Parts Limited

Unit B1, Luton Enterprise Park, Sundon Road, Luton, Bedfordshire LU3 3GU

Tel: 01582 578 888 International Tel: +44 1582 578 888 Fax: 01582 578 889 International Fax: +44 1582 578 889

**Email:** [sales@comline.uk.com](mailto:sales@comline.uk.com) **Web:** [www.comline.uk.com](http://www.comline.uk.com)



**AUTO PARTS**

# Product Bulletin

## ADB32322 - Brake pad set, disc brake

### Buyers Guide

Make/Model	Litre	CC	Engine	HP	Model Year	Fitted Period
SSANGYONG TIVOLI	1.6	1597	Petrol	128	4/2015 >	
SSANGYONG TIVOLI	1.6	1597	Petrol	128	3/2015 >	
SSANGYONG TIVOLI	1.6	1597	Diesel	115	4/2015 >	
SSANGYONG TIVOLI	1.6	1597	Diesel	115	4/2015 >	
SSANGYONG TIVOLI	1.6	1597	Petrol	128	4/2015 >	
SSANGYONG TIVOLI	1.6	1597	Petrol	128	3/2015 >	
SSANGYONG TIVOLI	1.6	1597	Petrol	126	4/2015 >	

#### Notes:

Manufacturers details are for guidance only. For pricing enquiries please contact our sales team on 01582 578 888

#### Comline Auto Parts Limited

Unit B1, Luton Enterprise Park, Sundon Road, Luton, Bedfordshire LU3 3GU

Tel: 01582 578 888 International Tel: +44 1582 578 888 Fax: 01582 578 889 International Fax: +44 1582 578 889

**Email:** [sales@comline.uk.com](mailto:sales@comline.uk.com) **Web:** [www.comline.uk.com](http://www.comline.uk.com)