



AUTO PARTS

# Product Bulletin

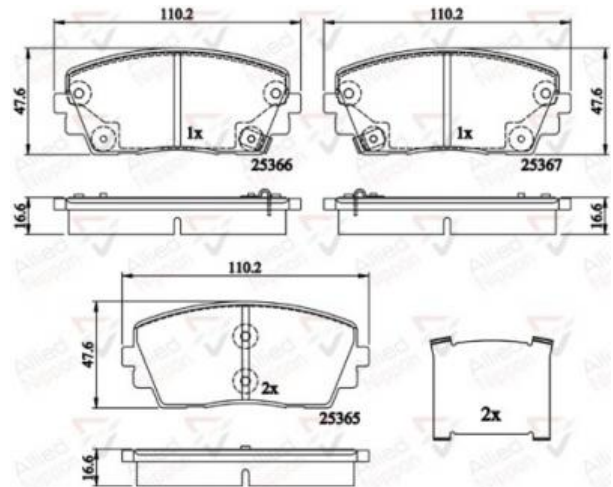
## ADB32159 - Brake pad set, disc brake

### Vehicles

KIA,

### Technical Info

|                  |                            |
|------------------|----------------------------|
| Fitting Position | Front Axle                 |
| Length (mm)      | 110.2                      |
| Part Info        | With acoustic wear warning |
| Thickness (mm)   | 16.6                       |
| Width (mm)       | 47.6                       |



### Cross References

|                   |                |                                 |                     |                   |            |
|-------------------|----------------|---------------------------------|---------------------|-------------------|------------|
| <b>A.B.S.</b>     | 37910          | <b>ACDELCO</b>                  | AC0581726D          | <b>APEC</b>       | PAD1877    |
| <b>ASHIKA</b>     | 50-0K-K23      | <b>ATE</b>                      | 13.0460-5649.2      | <b>BETTAPARTS</b> | PLU2215    |
| <b>BLUE PRINT</b> | ADG042131      | <b>BORG &amp; BECK</b>          | BBP2332             | <b>Brake Fit</b>  | PD3292     |
| <b>BRAKE-ENGG</b> | PA1988         | <b>BREMBO</b>                   | P30053              | <b>COMLINE</b>    | CBP32159   |
| <b>DELPHI</b>     | LP2296         | <b>FEBI</b>                     | NIR-11-01-2018      | <b>FRI.TECH.</b>  | 957.0      |
| <b>GIRLING</b>    | 6135359        | <b>HERTH+BUSS<br/>JAKOPARTS</b> | J3600341            | <b>HYUNDAI</b>    | 581011YA30 |
| <b>ICER</b>       | 182034         | <b>JAPANPARTS</b>               | PA-K23AF            | <b>JAPKO</b>      | 50K23      |
| <b>JURATEK</b>    | NIR-08-02-2018 | <b>KAMOKA</b>                   | NIR-13-02-2018      | <b>KAVO</b>       | BP-3045    |
| <b>KEY PARTS</b>  | KBP2332        | <b>KIA</b>                      | 581011YA00          | <b>KIA</b>        | 581011YA30 |
| <b>LPR</b>        | 05P1726        | <b>MASTER-SPORT</b>             | 13046056492N-SET-MS | <b>METELLI</b>    | 22-0941-0  |

### Notes:

Manufacturers details are for guidance only. For pricing enquiries please contact our sales team on 01582 578 888

### Comline Auto Parts Limited

Unit B1, Luton Enterprise Park, Sundon Road, Luton, Bedfordshire LU3 3GU

Tel: 01582 578 888 International Tel: +44 1582 578 888 Fax: 01582 578 889 International Fax: +44 1582 578 889

Email: [sales@comline.uk.com](mailto:sales@comline.uk.com) Web: [www.comline.uk.com](http://www.comline.uk.com)



**AUTO PARTS**

# Product Bulletin

## ADB32159 - Brake pad set, disc brake

### Cross References

|                 |           |                     |                     |                   |              |
|-----------------|-----------|---------------------|---------------------|-------------------|--------------|
| <b>LPR</b>      | 05P1726   | <b>MASTER-SPORT</b> | 13046056492N-SET-MS | <b>METELLI</b>    | 22-0941-0    |
| <b>MINTEX</b>   | MDB3297   | <b>MOTAQUIP</b>     | LVXL1817            | <b>NATIONAL</b>   | NP2693       |
| <b>NIPPARTS</b> | N3600332  | <b>OPTIMAL</b>      | 12536               | <b>PAGID</b>      | T3150        |
| <b>RAICAM</b>   | RA.1030.0 | <b>REMSA</b>        | 1481.02             | <b>ROADHOUSE</b>  | 21481.02     |
| <b>SCT</b>      | SP 742    | <b>TEXTAR</b>       | 2536501             | <b>TRUSTING</b>   | 957.0        |
| <b>TRW</b>      | GDB3535   | <b>WOKING</b>       | P15813.02           | <b>WVA</b>        | 25365        |
| <b>WVA</b>      | 25366     | <b>WVA</b>          | 25367               | <b>ZIMMERMANN</b> | NIR 25-10-17 |

#### Notes:

Manufacturers details are for guidance only. For pricing enquiries please contact our sales team on 01582 578 888

#### Comline Auto Parts Limited

Unit B1, Luton Enterprise Park, Sundon Road, Luton, Bedfordshire LU3 3GU

Tel: 01582 578 888 International Tel: +44 1582 578 888 Fax: 01582 578 889 International Fax: +44 1582 578 889

**Email:** [sales@comline.uk.com](mailto:sales@comline.uk.com) **Web:** [www.comline.uk.com](http://www.comline.uk.com)



**AUTO PARTS**

# Product Bulletin

## ADB32159 - Brake pad set, disc brake

### Buyers Guide

| Make/Model       | Litre | CC   | Engine | HP  | Model Year | Fitted Period |
|------------------|-------|------|--------|-----|------------|---------------|
| KIA PICANTO (JA) | 1.0   | 998  | Petrol | 67  | 3/2017 >   |               |
| KIA PICANTO (JA) | 1.2   | 1248 | Petrol | 84  | 3/2017 >   |               |
| KIA PICANTO (JA) | 1.0   | 998  | Petrol | 100 | 3/2017 >   |               |
| KIA PICANTO (SA) | 1.1   | 1120 | Diesel | 75  | 11/2005 >  |               |
| KIA PICANTO (SA) | 1.0   | 999  | Petrol | 61  | 4/2004 >   | > 1/2008      |
| KIA PICANTO (SA) | 1.1   | 1086 | Petrol | 65  | 4/2004 >   | > 1/2008      |
| KIA PICANTO (SA) | 1.0   | 999  | Petrol | 63  | 9/2007 >   |               |
| KIA PICANTO (TA) | 1.0   | 998  | Petrol | 69  | 5/2011 >   |               |
| KIA PICANTO (TA) | 1.0   | 998  | Petrol | 82  | 5/2011 >   |               |
| KIA PICANTO (TA) | 1.2   | 1248 | Petrol | 85  | 9/2011 >   |               |
| KIA PICANTO (TA) | 1.0   | 998  | Petrol | 67  | 8/2013 >   |               |
| KIA PICANTO (TA) | 1.0   | 998  | Petrol | 67  | 4/2015 >   |               |

#### Notes:

Manufacturers details are for guidance only. For pricing enquiries please contact our sales team on 01582 578 888

#### Comline Auto Parts Limited

Unit B1, Luton Enterprise Park, Sundon Road, Luton, Bedfordshire LU3 3GU

Tel: 01582 578 888 International Tel: +44 1582 578 888 Fax: 01582 578 889 International Fax: +44 1582 578 889

**Email:** [sales@comline.uk.com](mailto:sales@comline.uk.com) **Web:** [www.comline.uk.com](http://www.comline.uk.com)