



**AUTO PARTS**

# Product Bulletin

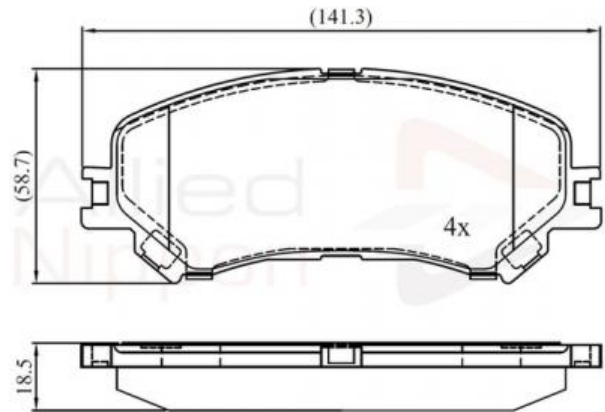
## ADB02423 - Brake pad set, disc brake

### Vehicles

RENAULT,

### Technical Info

<b>Fitting Position</b>	Front Axle
<b>Length (mm)</b>	142.2
<b>Part Info</b>	Prepared for wear indicator
<b>Thickness (mm)</b>	18.5
<b>Width (mm)</b>	58.6



### Cross References

<b>A.B.S.</b>	35145	<b>ABE</b>	C1R050ABE	<b>APEC</b>	PAD2144
<b>BLUE PRINT</b>	ADR164207	<b>BORG &amp; BECK</b>	BBP2596	<b>BOSCH</b>	0 986 494 722
<b>BREMBO</b>	P 68 067	<b>BREMBO</b>	P68067	<b>CIFAM</b>	822-1111-0
<b>COMLINE</b>	CBP02423	<b>DELPHI</b>	LP3275	<b>E.T.F.</b>	12-1688
<b>EUROBRAKE</b>	5502223977	<b>FEBI</b>	16961	<b>FERODO</b>	FDB4869
<b>FRI.TECH.</b>	1111.0	<b>GIRLING</b>	6121526	<b>ICER</b>	182259
<b>JURATEK</b>	JCP8216	<b>JURID</b>	573673J	<b>KAWE</b>	1318 20
<b>KAWE</b>	131820	<b>LPR</b>	05P1996	<b>MAXGEAR</b>	19-3364
<b>METELLI</b>	22-1111-0	<b>MINTEX</b>	MDB3890	<b>MOTAQUIP</b>	LVXL1881
<b>NATIONAL</b>	NP2885	<b>NK</b>	223977	<b>OPEN PARTS</b>	BPA1318.20

### Notes:

Manufacturers details are for guidance only. For pricing enquiries please contact our sales team on 01582 578 888

### Comline Auto Parts Limited

Unit B1, Luton Enterprise Park, Sundon Road, Luton, Bedfordshire LU3 3GU

Tel: 01582 578 888 International Tel: +44 1582 578 888 Fax: 01582 578 889 International Fax: +44 1582 578 889

**Email:** [sales@comline.uk.com](mailto:sales@comline.uk.com) **Web:** [www.comline.uk.com](http://www.comline.uk.com)



**AUTO PARTS**

# Product Bulletin

## ADB02423 - Brake pad set, disc brake

### Cross References

<b>NATIONAL</b>	NP2885	<b>NK</b>	223977	<b>OPEN PARTS</b>	BPA1318.20
<b>PAGID</b>	T2554	<b>PROTECHNIC</b>	PRP1897	<b>R BRAKE</b>	RB2259
<b>RAICAM</b>	RA.0950.4	<b>RENAULT</b>	410606124R	<b>ROADHOUSE</b>	21318.2
<b>SBS</b>	1501223977	<b>TEXTAR</b>	2234701	<b>TRISCAN</b>	8110 25047
<b>TRISCAN</b>	811025047	<b>TRUSTING</b>	1111.0	<b>TRW</b>	GDB2152
<b>VALEO</b>	601596	<b>WOKING</b>	P12183.20	<b>ZIMMERMANN</b>	22347.185.1

### Notes:

Manufacturers details are for guidance only. For pricing enquiries please contact our sales team on 01582 578 888

### Comline Auto Parts Limited

Unit B1, Luton Enterprise Park, Sundon Road, Luton, Bedfordshire LU3 3GU

Tel: 01582 578 888 International Tel: +44 1582 578 888 Fax: 01582 578 889 International Fax: +44 1582 578 889

**Email:** [sales@comline.uk.com](mailto:sales@comline.uk.com) **Web:** [www.comline.uk.com](http://www.comline.uk.com)



**AUTO PARTS**

# Product Bulletin

## ADB02423 - Brake pad set, disc brake

### Buyers Guide

Make/Model	Litre	CC	Engine	HP	Model Year	Fitted Period
RENAULT ESPACE V (JR_)	1.6	1618	Petrol	200	2/2015 >	
RENAULT ESPACE V (JR_)	1.6	1598	Diesel	130	6/2015 >	
RENAULT ESPACE V (JR_)	1.6	1598	Diesel	160	6/2015 >	
RENAULT ESPACE V (JR_)	1.8	1798	Petrol	225	10/2016 >	
RENAULT GRAND SCÉNIC IV (R9_)	1.2	1198	Petrol	130	9/2016 >	3/2017 >
RENAULT GRAND SCÉNIC IV (R9_)	1.5	1461	Diesel	110	9/2016 >	3/2017 >
RENAULT GRAND SCÉNIC IV (R9_)	1.2	1198	Petrol	115	9/2016 >	3/2017 >
RENAULT GRAND SCÉNIC IV (R9_)	1.6	1598	Diesel	130	9/2016 >	3/2017 >
RENAULT GRAND SCÉNIC IV (R9_)	1.6	1598	Diesel	160	9/2016 >	3/2017 >
RENAULT MEGANE IV Grandtour (K9A/M/N_)	1.3	1332	Petrol	163	1/2018 >	
RENAULT MEGANE IV Grandtour (K9A/M/N_)	1.6	1618	Petrol	205	4/2016 >	
RENAULT MEGANE IV Grandtour (K9A/M/N_)	1.6	1598	Diesel	130	4/2016 >	
RENAULT MEGANE IV Grandtour (K9A/M/N_)	1.6	1598	Diesel	163	4/2016 >	
RENAULT MEGANE IV Grandtour (K9A/M/N_)	1.6	1618	Petrol	165	7/2017 >	
RENAULT MEGANE IV Hatchback (B9A/M/N_)	1.6	1618	Petrol	165	7/2017 >	
RENAULT MEGANE IV Hatchback (B9A/M/N_)	1.6	1598	Petrol	115	11/2015 >	
RENAULT MEGANE IV Hatchback (B9A/M/N_)	1.6	1598	Diesel	163	11/2015 >	
RENAULT MEGANE IV Hatchback (B9A/M/N_)	1.3	1332	Petrol	163	1/2018 >	
RENAULT MEGANE IV Hatchback (B9A/M/N_)	1.6	1598	Diesel	130	11/2015 >	
RENAULT MEGANE IV Hatchback (B9A/M/N_)	1.6	1618	Petrol	205	11/2015 >	
RENAULT MEGANE IV Saloon	1.6	1598	Diesel	130	10/2016 >	
RENAULT SCÉNIC IV (J9_)	1.3	1332	Petrol	140	1/2018 >	
RENAULT SCÉNIC IV (J9_)	1.3	1332	Petrol	115	1/2018 >	
RENAULT SCÉNIC IV (J9_)	1.3	1332	Petrol	163	1/2018 >	
RENAULT SCÉNIC IV (J9_)	1.6	1598	Diesel	160	9/2016 >	3/2017 >
RENAULT SCÉNIC IV (J9_)	1.2	1197	Petrol	130	9/2016 >	3/2017 >

#### Notes:

Manufacturers details are for guidance only. For pricing enquiries please contact our sales team on 01582 578 888

#### Comline Auto Parts Limited

Unit B1, Luton Enterprise Park, Sundon Road, Luton, Bedfordshire LU3 3GU

Tel: 01582 578 888 International Tel: +44 1582 578 888 Fax: 01582 578 889 International Fax: +44 1582 578 889

**Email:** [sales@comline.uk.com](mailto:sales@comline.uk.com) **Web:** [www.comline.uk.com](http://www.comline.uk.com)



**AUTO PARTS**

# Product Bulletin

## ADB02423 - Brake pad set, disc brake

### Buyers Guide

Make/Model	Litre	CC	Engine	HP	Model Year	Fitted Period
RENAULT SCÉNIC IV (J9_)	1.2	1198	Petrol	115	9/2016 >	3/2017 >
RENAULT SCÉNIC IV (J9_)	1.5	1461	Diesel	95	9/2016 >	3/2017 >
RENAULT SCÉNIC IV (J9_)	1.5	1461	Diesel	110	9/2016 >	3/2017 >
RENAULT SCÉNIC IV (J9_)	1.6	1598	Diesel	130	9/2016 >	3/2017 >
RENAULT SCÉNIC IV (J9_)	1.3	1332	Petrol	159	9/2018 >	
RENAULT TALISMAN Grandtour (KP_)	1.6	1598	Diesel	160	3/2016 >	
RENAULT TALISMAN Grandtour (KP_)	1.6	1598	Diesel	130	3/2016 >	
RENAULT TALISMAN Grandtour (KP_)	1.5	1461	Diesel	110	3/2016 >	

#### Notes:

Manufacturers details are for guidance only. For pricing enquiries please contact our sales team on 01582 578 888

#### Comline Auto Parts Limited

Unit B1, Luton Enterprise Park, Sundon Road, Luton, Bedfordshire LU3 3GU

Tel: 01582 578 888 International Tel: +44 1582 578 888 Fax: 01582 578 889 International Fax: +44 1582 578 889

**Email:** [sales@comline.uk.com](mailto:sales@comline.uk.com) **Web:** [www.comline.uk.com](http://www.comline.uk.com)