



AUTO PARTS

Product Bulletin

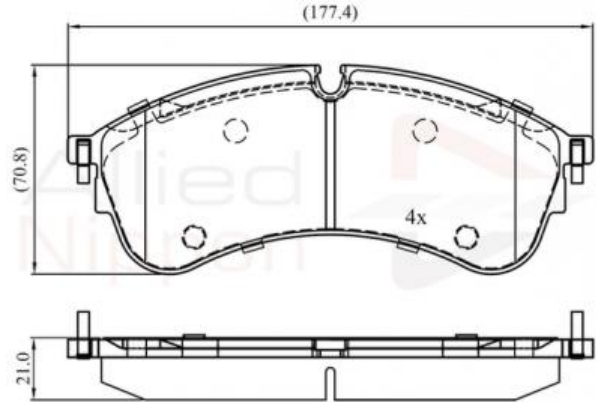
ADB02400 - Brake pad set, disc brake

Vehicles

MAN, VW,

Technical Info

Fitting Position	Front Axle
Length (mm)	177.4
Part Info	Prepared for wear indicator
Thickness (mm)	21



Cross References

AUDI	2N0698151A	BREMBO	P 85 168	BREMBO	P85168
ICER	142283	MAN	65508206001	MINTEX	MDB4005
PAGID	T2679	R BRAKE	RB2283	RAICAM	RA.1223.0
SEAT	2N0698151A	SKODA	2N0698151A	TEXTAR	2217801
VW	2N0698151A				

Notes:

Manufacturers details are for guidance only. For pricing enquiries please contact our sales team on 01582 578 888

Comline Auto Parts Limited

Unit B1, Luton Enterprise Park, Sundon Road, Luton, Bedfordshire LU3 3GU
Tel: 01582 578 888 International Tel: +44 1582 578 888 Fax: 01582 578 889 International Fax: +44 1582 578 889

Email: sales@comline.uk.com **Web:** www.comline.uk.com



AUTO PARTS

Product Bulletin

ADB02400 - Brake pad set, disc brake

Buyers Guide

Make/Model	Litre	CC	Engine	HP	Model Year	Fitted Period
MAN TGE Box (UY_)	2.0	1968	Diesel	140	2/2017 >	
MAN TGE Box (UY_)	2.0	1968	Diesel	102	2/2017 >	
MAN TGE Box (UY_)	2.0	1968	Diesel	140	10/2017 >	
MAN TGE Box (UY_)	2.0	1968	Diesel	177	5/2017 >	
MAN TGE Box (UY_)	2.0	1968	Diesel	140	4/2017 >	
MAN TGE Box (UY_)	2.0	1968	Diesel	177	3/2017 >	
MAN TGE Box (UY_)	2.0	1968	Diesel	122	8/2017 >	
MAN TGE Box (UY_)	2.0	1968	Diesel	177	2/2017 >	
MAN TGE Platform/Chassis (UZ_)	2.0	1968	Diesel	102	11/2016 >	
MAN TGE Platform/Chassis (UZ_)	2.0	1968	Diesel	140	11/2016 >	
MAN TGE Platform/Chassis (UZ_)	2.0	1968	Diesel	177	11/2016 >	
MAN TGE Platform/Chassis (UZ_)	2.0	1968	Diesel	177	11/2017 >	
MAN TGE Platform/Chassis (UZ_)	2.0	1968	Diesel	140	11/2017 >	
MAN TGE Platform/Chassis (UZ_)	2.0	1968	Diesel	177	7/2017 >	
MAN TGE Platform/Chassis (UZ_)	2.0	1968	Diesel	140	11/2017 >	
MAN TGE Platform/Chassis (UZ_)	2.0	1968	Diesel	122	8/2017 >	
VW CRAFTER Box (SY_, SX_)	2.0	1968	Diesel	177	5/2017 >	
VW CRAFTER Box (SY_, SX_)	2.0	1968	Diesel	140	4/2017 >	
VW CRAFTER Box (SY_, SX_)	2.0	1968	Diesel	140	10/2017 >	
VW CRAFTER Box (SY_, SX_)	2.0	1968	Diesel	122	8/2017 >	
VW CRAFTER Box (SY_, SX_)	2.0	1968	Diesel	102	10/2016 >	
VW CRAFTER Box (SY_, SX_)	2.0	1968	Diesel	140	9/2016 >	
VW CRAFTER Box (SY_, SX_)	2.0	1968	Diesel	177	3/2017 >	
VW CRAFTER Box (SY_, SX_)	2.0	1968	Diesel	177	9/2016 >	
VW CRAFTER Bus (SY_)	2.0	1968	Diesel	177	9/2016 >	
VW CRAFTER Bus (SY_)	2.0	1968	Diesel	140	9/2016 >	

Notes:

Manufacturers details are for guidance only. For pricing enquiries please contact our sales team on 01582 578 888

Comline Auto Parts Limited

Unit B1, Luton Enterprise Park, Sundon Road, Luton, Bedfordshire LU3 3GU

Tel: 01582 578 888 International Tel: +44 1582 578 888 Fax: 01582 578 889 International Fax: +44 1582 578 889

Email: sales@comline.uk.com **Web:** www.comline.uk.com



AUTO PARTS

Product Bulletin

ADB02400 - Brake pad set, disc brake

Buyers Guide

Make/Model	Litre	CC	Engine	HP	Model Year	Fitted Period
VW CRAFTER Bus (SY_)	2.0	1968	Diesel	102	10/2016 >	
VW CRAFTER Platform/Chassis (SZ_)	2.0	1968	Diesel	177	3/2017 >	
VW CRAFTER Platform/Chassis (SZ_)	2.0	1968	Diesel	140	11/2017 >	
VW CRAFTER Platform/Chassis (SZ_)	2.0	1968	Diesel	140	11/2017 >	
VW CRAFTER Platform/Chassis (SZ_)	2.0	1968	Diesel	177	7/2017 >	
VW CRAFTER Platform/Chassis (SZ_)	2.0	1968	Diesel	102	11/2016 >	
VW CRAFTER Platform/Chassis (SZ_)	2.0	1968	Diesel	140	11/2016 >	
VW CRAFTER Platform/Chassis (SZ_)	2.0	1968	Diesel	177	11/2016 >	
VW CRAFTER Platform/Chassis (SZ_)	2.0	1968	Diesel	122	8/2017 >	

Notes:

Manufacturers details are for guidance only. For pricing enquiries please contact our sales team on 01582 578 888

Comline Auto Parts Limited

Unit B1, Luton Enterprise Park, Sundon Road, Luton, Bedfordshire LU3 3GU

Tel: 01582 578 888 International Tel: +44 1582 578 888 Fax: 01582 578 889 International Fax: +44 1582 578 889

Email: sales@comline.uk.com **Web:** www.comline.uk.com